

# PRO DUCT

MUDGUARDS / ANTISPRAY / ACCESSORIES

# CATA LOGUE



# CONTENTS

Company presentation .....	4
Range of mudguards .....	6
Choose mudguard based on wheel size .....	9
How to identify your HBN mudguard .....	10
Mudguards sorted by radius.....	12
Notes .....	27
STEERFLEX mudguard for steering axle .....	28
FLATFLEX flattop mudguard.....	29
RIMFLEX solution for triple axles .....	30
Antispray protection systems .....	32
How to understand the article number of antispray.....	34
SPRAYFLEX antispray, advantages.....	36
Logo on antispray .....	37
CUPFLEX fixation.....	38
TOPFLEX, MAXFLEX, EASYFLEX mudguard holders .....	40
Mudguard stays.....	42
Packaging.....	43
Tailor made mudguards.....	44
Development competences.....	46
Air spring pistons .....	48
ISTOFLEX and GREENFLEX Mudguard Finder .....	50
Mudguard specifications .....	61
Contact HBN-Teknik A/S .....	63

# HBN-TEKNIK A/S

## YOUR SPECIALIST IN COMPOSITE MATERIALS

**HBN-Teknik A/S was founded in 1974 in Ringsted, Denmark by the entrepreneur Heine B. Nielsen (HBN), who started to manufacture metal fittings and hydraulic tanks for Trucks & Trailers.**

In 1982 the company was acquired by the BPW Group, the world's leading manufacturer of intelligent running gear systems for trailers and semi-trailers, and had since then changed its strategy from being a traditional steel manufacturer to be an entrepreneurial company within research, development and manufacturing of products in composite material.

The new strategy lead to one of the world's first injection moulded mudguards in 1986, to integrated antispray solutions in 1994 and to new innovative air spring pistons in 2003.



## The brands of the BPW Group



**Advanced chassis systems and an allround service** portfolio for safe and efficient transport processes



**Modular and reliable lighting** and cable systems for universal applications



**Innovative plastic technologies** for effective weight optimisation



**Dependable fasteners** and superstructure technology for maximum safety



Individual, modular and manufacturer-independent **telematics systems for truck and trailer**



# COMPREHENSIVE RANGE OF MUDGUARDS

HBN-Teknik A/S offers two wide ranges of mudguards, **ISTOFLEX®** and **GREENFLEX®** respectively, which both are manufactured in environmentally friendly materials and offer resistance to tearing, oils and the effects of weather.

The choice of material eases the assembly of the mudguard as the span can be easily adjusted  $\pm 50$  mm without deformation of the mudguard edge.

**ISTOFLEX®** mudguards are made of a premium polypropylene raw material added a rubber compound, giving excellent properties and ensures dimensional stability – even at temperatures of up to 120°C and impact resistance right down to -40°C.

**ISTOFLEX®** mudguards are recommended for demountable container vehicles, tippers, road tankers, log carriers and trailers driving under extreme conditions and has been proven on off-road and timber trucks in northern Scandinavia as well as on road tankers transporting oil and chemicals.





**GREENFLEX®** mudguards are made of an environmentally recycling compatible polypropylene raw material added a rubber compound – a strong combination which makes the mudguards dimensionally stable even at temperatures of up to 80°C and impact proof down to -30°C. **GREENFLEX®** mudguards are recommended for all commercial trailers.

### **YOU KNOW IT IS A HBN MUDGUARD WHEN YOU SEE THE DUO-LINE**

Mudguards from HBN can also be equipped with a white line, in fact we go further by adding two lines. The appealing decoration solution called Duo-Line elegantly frames either the product- or the customer name and gives at the same time a modern look.

### **COMMON PRODUCT FEATURES:**

Both ISTOFLEX® and GREENFLEX® mudguards are available in black colour in full-size, half-size or quarter-size for both single and twin fitting.

- ! Precision injection moulding secures dimensionally stable mudguards with fine tolerances
- ! Impact proof at extreme temperatures
- ! Flexible summer and winter
- ! Resistant to tearing, oil and UV secures a long life
- ! Adjustable span  $\pm 50$  mm without deformation of the mudguard edge

As standard all mudguards are either delivered with Istoflex- or Greenflex brand in the center of the mudguard, however it is also possible to change this to a company name if requested.

**ISTOFLEX and GREENFLEX can be delivered with the characteristic dual-stripe called Duo-Line and center logo.**





# HOW TO SELECT CORRECT MUDGUARD

## How to interpret the tire size.

To describe the meaning of a tire size code, a tire size 385/65 R22.5 is used as an example, but observe that exceptions to the explanation exist:

1. Nominal tire width in mm (385)
2. Aspect ratio of the tire (65)
3. Tire construction (R)
4. RIM dimension (22.5)



**385** Nominal section width of the tire in millimeters. The width of the mudguard must be wider than the width of the tire(s).

**65** Aspect ratio of the tire, measured as:  $\frac{\text{Tire height} \times 100}{\text{tire width}}$

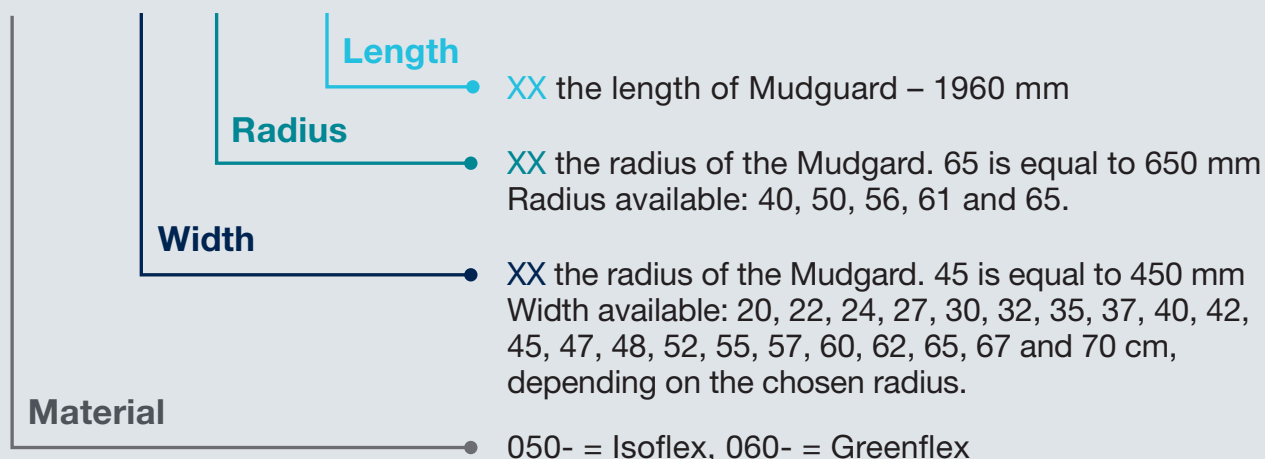
**22.5** Nominal diameter of the rim to which the tire is to be fitted, normally shown in inches.

# HBN MUDGUARD

## ARTICLE NO.

The article number of HBN mudguards contains type of material, sizes and many more details. Below is explained how you easily identify your HBN mudguard. As an example below, the article code 060-45651960 is used.

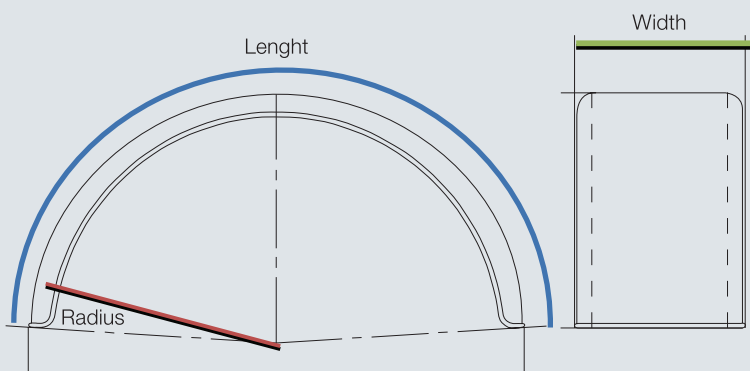
060-45651960-XX



Articles code basically consists of 8 digits, followed by a combination of additional codes to precisely identify each mudguard.

### Detailed description overview:

- 01 Mudguard with slit for Topflex holder
- 01AC Mudguard with slit for Topflex and Cupflex
- 15AC Mudguard with slit for Topflex, Antispray w/Cupflex
- 02 Mudguard with slit for Topflex, other pos.
- 10 Mounted with Topflex holder
- 016 Mudguard with slit for Maxflex holder
- 0160 Mudguard with slit for Maxflex, other pos.
- 19 SPAT Mudguard with black steel Topflex
- 100 Mounted with Maxflex holder
- 200 Mounted with Maxflex, white Duo-Line stripes
- 200AC With Maxflex, Duo-Line stripes, Antispray, Cupflex
- 20 Topflex with Duo-Line white stripes
- 30 Duo-Line white stripes
- A Antispray mounted with bolts/nuts
- AC Antispray with Cupflex
- ACXX Antispray with Cupflex, XX = Customer logo
- AC1 Antispray with Cupflex, other pos.
- AXX Antispray with bolts/nuts, XX = Customer logo
- 9 Mega pallet 2400 mm (Trailer)
- 99 Mega pallet 2200 mm (Container)
- 192 Steel Topflex holder
- 150 Mudguard with Maxflex, mega pallet
- 160 Mudguard with holes for Maxflex holder and Cupflex
- 65 Mudguard mounted with Easyflex
- 0AC Mudguard with holes for Cupflex
- 11 Mudguard with Topflex, other pos.
- 21 Mudguard with Duo-Line stripes, Topflex, other pos.
- P Mudguard in plastic bag
- 57 Spat Mudguard, not mounted
- 58 Spat Mudguard with holder
- 59 Spat Mudguard with holder and Antispray
- S Mudguard mounted with mudflap



### Width, length and radius of the mudguard.

After the article code, further description of a mudguard solution is included. The description can consist of a combination meaning, that "10-AC" e.g. describes a solution with Topflex holders and antispray mounted with Cupflex.

### ABC classification:

When ordering HBN mudguard solutions, always contact your local BPW sales company.

If articles are ordered from HBN, expected delivery time is defined for each article and presented by an ABC classification as seen in the table.

On the following pages, our standard mudguard program is presented inclusive corresponding drawings.

GRP	EXPECTED DELIVERY TIME
A	3 weeks
B	4 weeks
C	5-6 weeks
D	Ask us

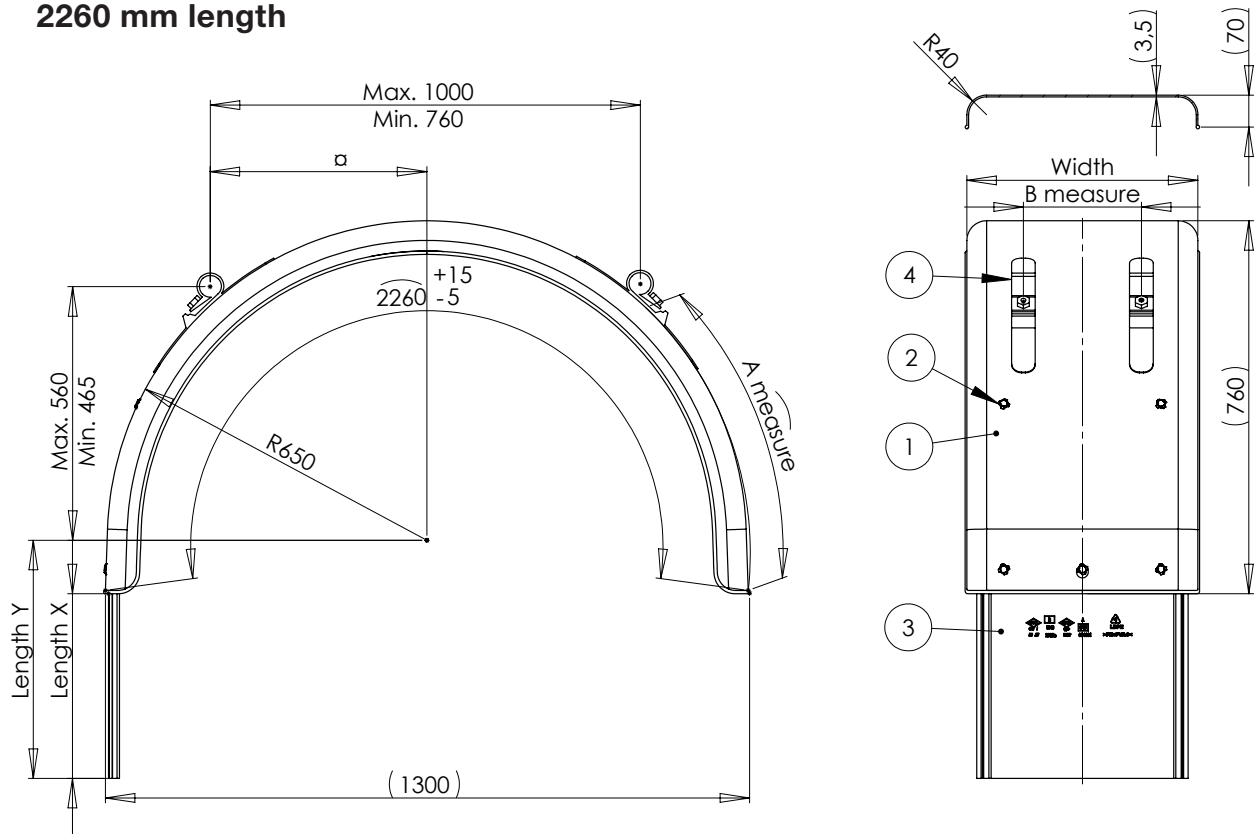
### HBN standard mudguard range.

On the following pages, the standard HBN mudguard solutions are shown, but contact HBN Customer Center in case you cannot find a solution to fit your needs.

If Istoflex quality is needed, simply add "050-" before the article number and "060-" for Greenflex quality.

# 650 MM RADIUS FULL MUDGUARD

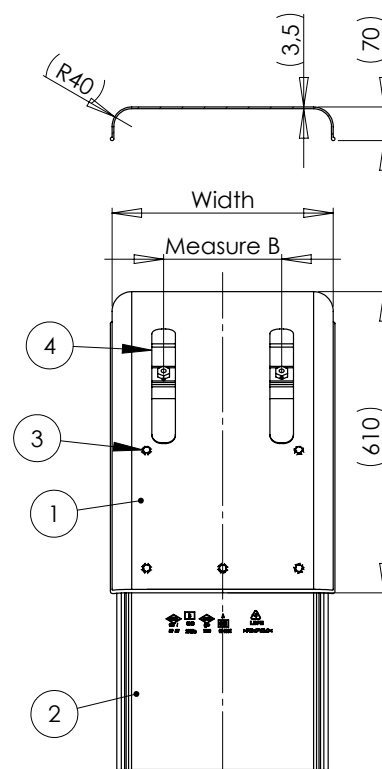
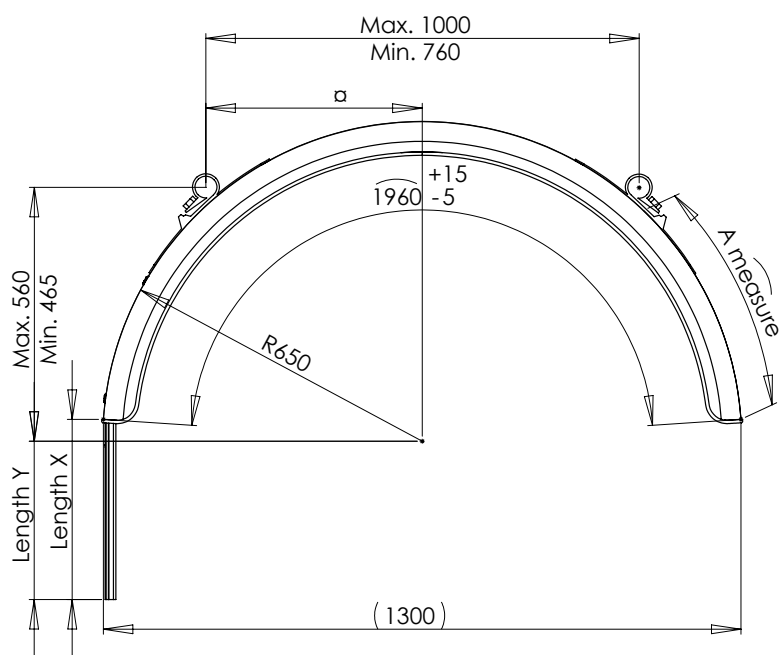
2260 mm length



ARTICLE NUMBER	ANTI-SPRAY CUP	X-LENGTH mm	Y-LENGTH mm	A mm	B mm	ABC-class
37652260-10AC	091-414079	300	409	630	140	B
42652260-10AC	091-414080	300	409	630	240	B
47652260-10AC	091-434781	370	479	630	240	C
52652260-10AC	091-483372	230	339	630	240	D
57652260-10AC	091-553372	230	339	630	300	D
62652260-10AC	091-633372	230	339	630	300	C
67652260-10AC	091-663372	230	339	630	300	A
70652260-10AC	091-683481	240	349	630	300	B

# 650 MM RADIUS FULL MUDGUARD

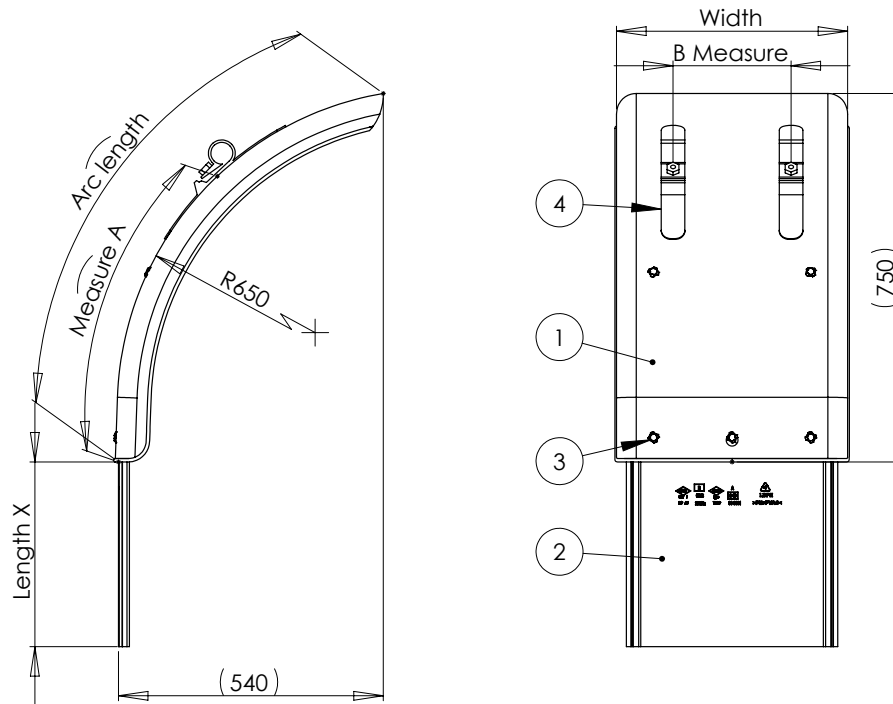
1960 mm length



ARTICLE NUMBER	ANTI-SPRAY CUP	X-LENGTH mm	Y-LENGTH mm	A mm	B mm	ABC-class
45651960-10AC	091-434671	360	315	480	240	A
55651960-10AC	091-555276	420	375	480	240	C
60651960-10AC	091-554372	330	285	480	300	C
65651960-10AC	091-634474	340	295	480	300	A

# 650 MM RADIUS HALF MUDGUARD

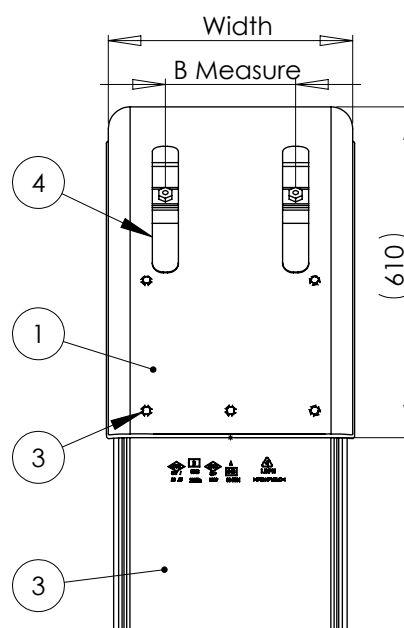
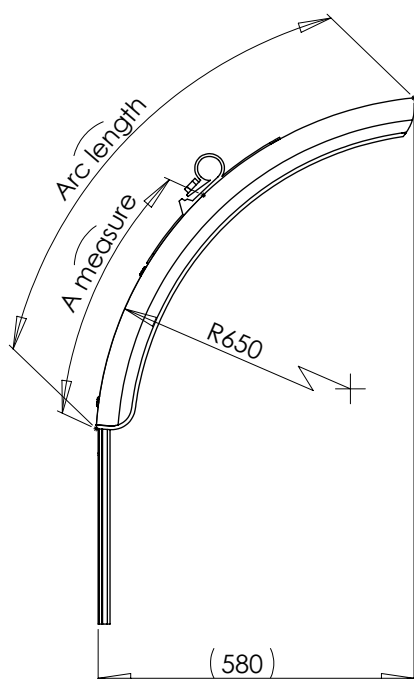
1020 mm length



ARTICLE NUMBER	ANTISPRAY CUP	X-LENGTH mm	A mm	B mm	ABC-class
37651020-10AC	091-414079	300	630	140	B
42651020-10AC	091-414080	300	630	240	B
47651020-10AC	091-434781	370	630	240	C
52651020-10AC	091-483372	230	630	240	D
57651020-10AC	091-553372	230	630	300	D
62651020-10AC	091-633372	230	630	300	C
67651020-10AC	091-663372	230	630	300	A
70651020-10AC	091-683481	240	630	300	B

# 650 MM RADIUS HALF MUDGUARD

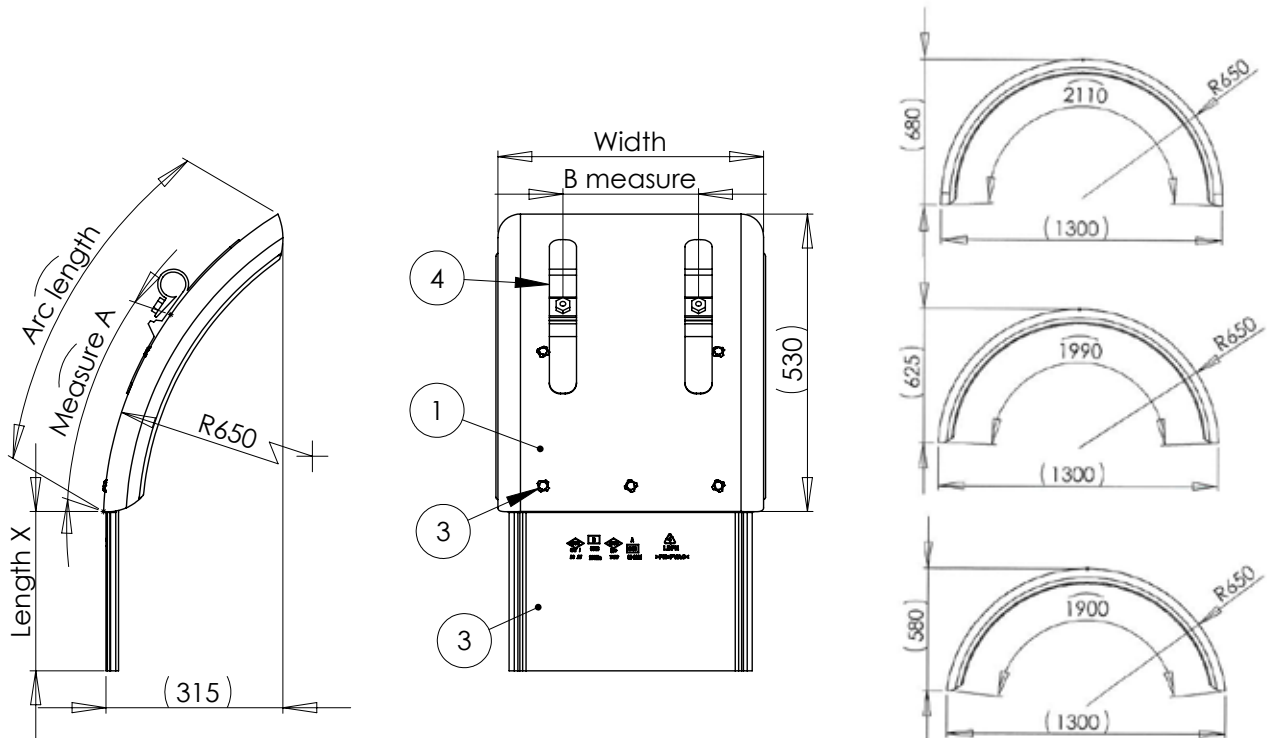
930 mm length



ARTICLE NUMBER	ANTISPRAY CUP	X-LENGTH mm	A mm	B mm	ABC-class
45650930-10AC	091-434671	360	480	240	A
55650930-10AC	091-555276	420	480	240	C
60650930-10AC	091-554372	330	480	300	C
65650930-10AC	091-634474	340	480	300	A

# 650 MM RADIUS QUARTER MUDGUARD

635 mm length

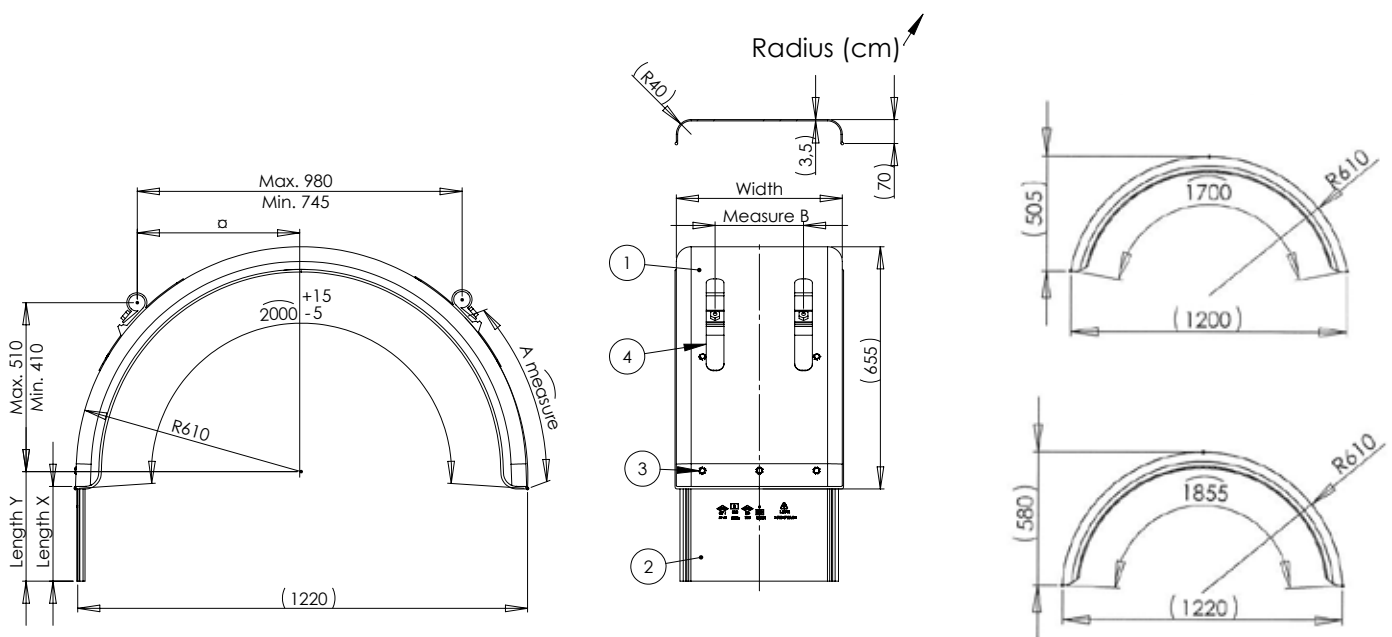


ARTICLE NUMBER	ANTISPRAY CUP	X-LENGTH mm	A mm	B mm	ABC-class
37650635-10AC	091-414079	300	375	140	B
42650635-10AC	091-414080	300	375	240	B
45650635-10AC	091-433863	280	375	240	A
47650635-10AC	091-434781	370	375	240	C
52650635-10AC	091-483372	230	375	240	D
55650635-10AC	091-555276	420	375	240	C
57650635-10AC	091-554372	330	375	300	D
60650635-10AC	091-554372	330	375	300	C
62650635-10AC	091-634474	340	375	300	C
65650635-10AC	091-634474	340	375	300	A
67650635-10AC	091-632555	150	375	300	A
70650635-10AC	091-683481	240	375	300	B



# 610 MM RADIUS FULL MUDGUARD

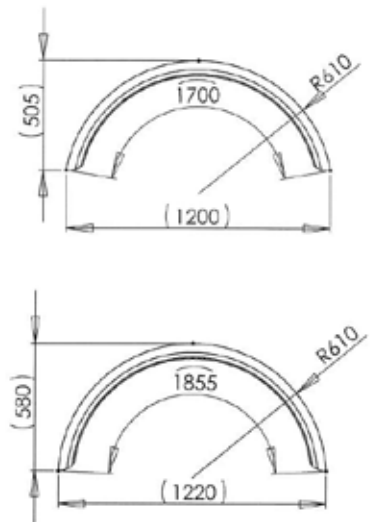
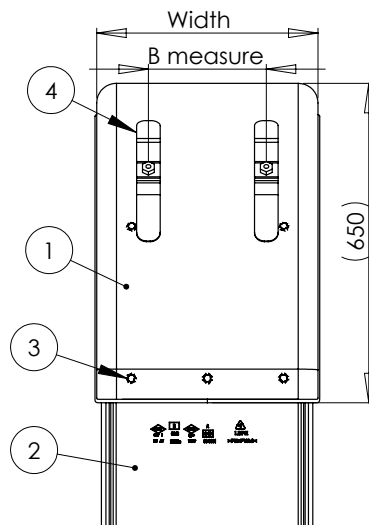
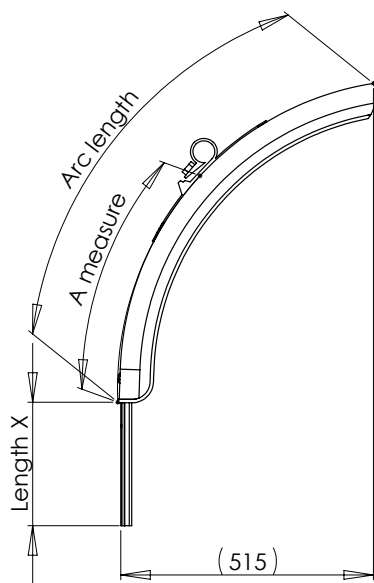
2000 mm length



ARTICLE NUMBER	ANTI-SPRAY CUP	X-LENGTH mm	Y-LENGTH mm	A mm	B mm	ABC-class
30612000-10	NA	NA	NA	500	140	D
40612000-10AC	091-414079	300	345	500	140	B
45612000-10AC	091-433567	250	295	500	240	A
50612000-10AC	091-483564	250	295	500	240	D
60612000-10AC	091-554372	330	375	500	300	D
62612000-10AC	091-633565	250	295	500	300	C
65612000-10AC	091-633161	210	255	500	300	B
70612000-10AC	091-685174	410	455	500	300	D

# 610 MM RADIUS HALF MUDGUARD

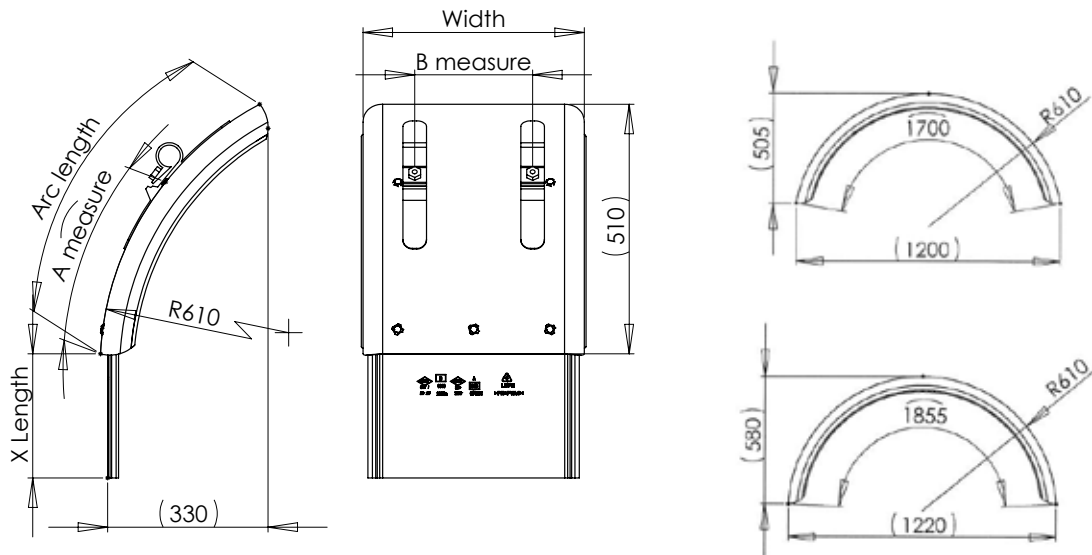
910 mm length



ARTICLE NUMBER	ANTISPRAY CUP	X-LENGTH mm	A mm	B mm	ABC-class
30610910-10	NA	NA	500	140	D
40610910-10AC	091-414079	300	500	140	B
45610910-10AC	091-433567	250	500	240	A
50610910-10AC	091-483564	250	500	240	D
60610910-10AC	091-554372	330	500	300	D
62610910-10AC	091-633565	250	500	300	C
65610910-10AC	091-633161	210	500	300	B
70610910-10AC	091-684568	350	500	300	D

# 610 MM RADIUS QUARTER MUDGUARD

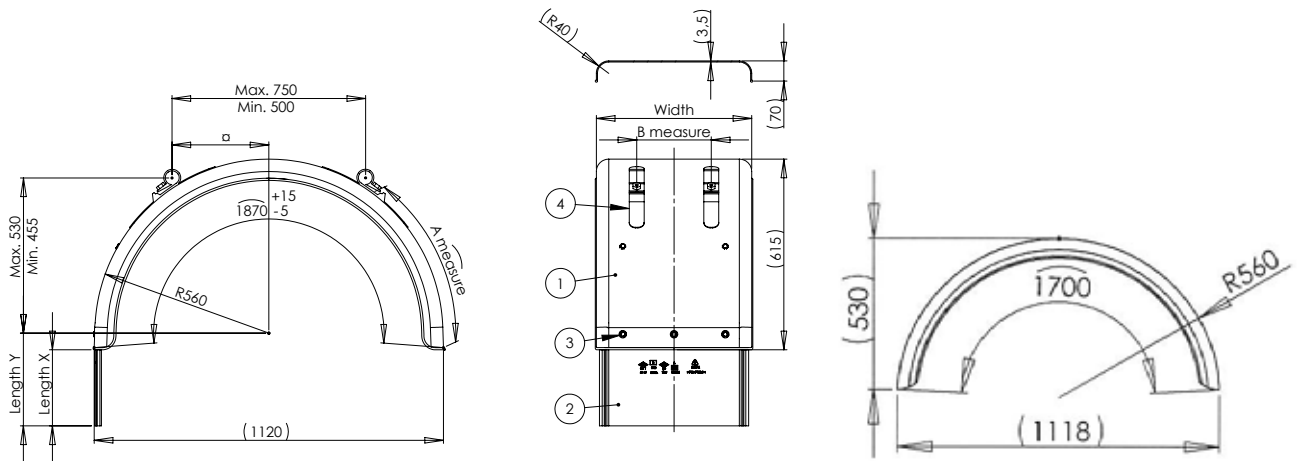
630 mm length



ARTICLE NUMBER	ANTISPRAY CUP	X-LENGTH mm	A mm	B mm	ABC-class
30610630-10	NA	NA	NA	140	D
40610630-10AC	091-414079	300	375	140	B
45610630-10AC	091-433567	250	375	240	A
50610630-10AC	091-483564	250	375	240	D
60610630-10AC	091-554372	330	375	300	D
62610630-10AC	091-633565	250	375	300	C
65610630-10AC	091-633161	210	375	300	B
70610630-10AC	091-684568	350	375	300	D

# 560 MM RADIUS FULL MUDGUARD

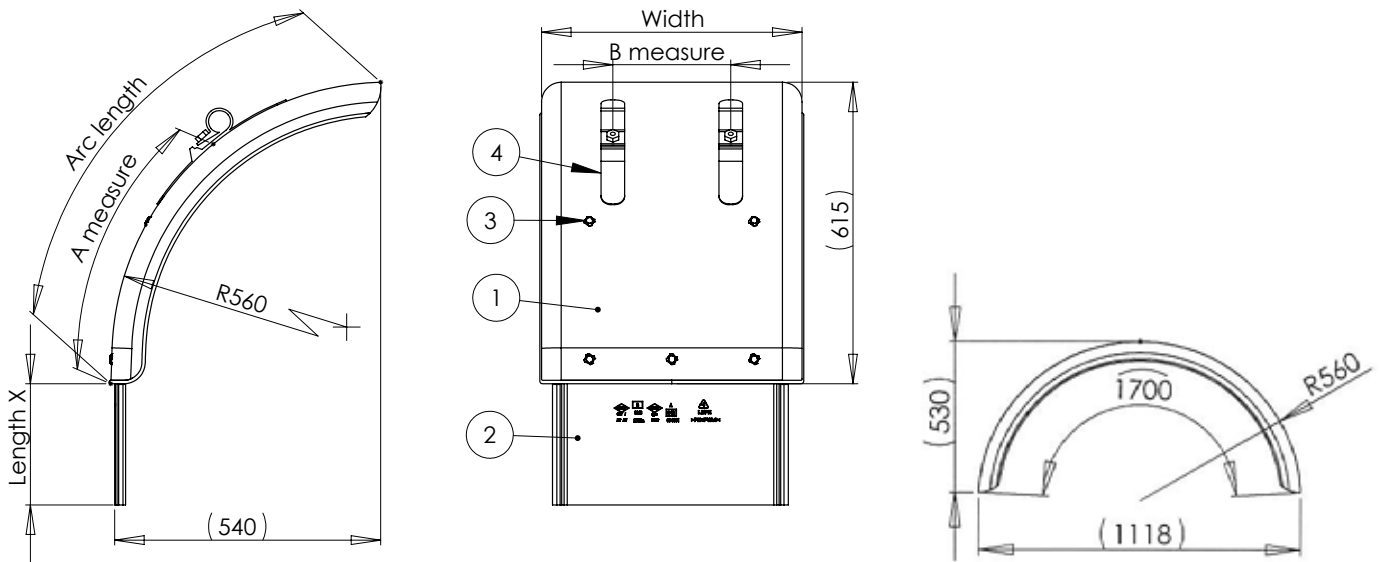
1870 mm length



ARTICLE NUMBER	ANTI-SPRAY CUP	X-LENGTH mm	Y-LENGTH mm	A mm	B mm	ABC-class
27561870-10	NA	NA	NA	575	140	C
30561870-10	NA	NA	NA	575	140	C
35561870-10	NA	NA	NA	575	140	D
48561870-10AC	091-483564	250	295	575	240	B
50561870-10AC	091-483059	200	245	575	240	D
53561870-10AC	091-483564	250	295	575	240	C
55561870-10AC	091-553050	200	245	575	240	C
58561870-10AC	091-553050	200	245	575	240	B
60561870-10AC	091-554372	330	375	575	300	B
62561870-10AC	091-634474	340	385	575	300	A
65561870-10AC	091-634474	340	385	575	300	B

# 560 MM RADIUS HALF MUDGUARD

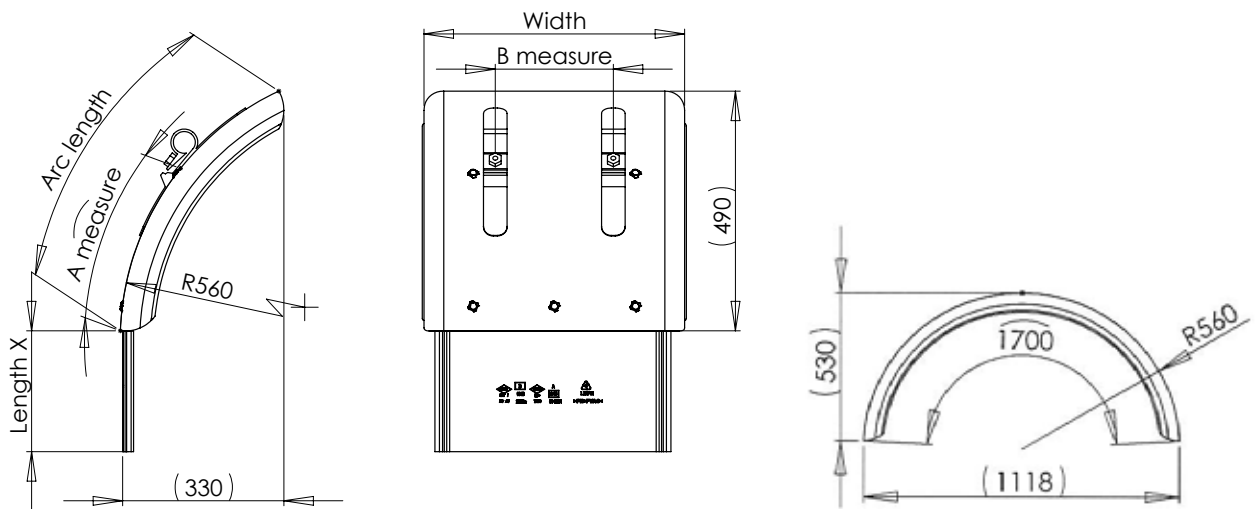
910 mm length



ARTICLE NUMBER	ANTISPRAY CUP	X-LENGTH mm	A mm	B mm	ABC-class
27560910-10	NA	NA	500	140	C
30560910-10	NA	NA	500	140	C
35560910-10	NA	NA	500	140	D
48560910-10AC	091-482857	180	500	240	B
50560910-10AC	091-483564	250	500	240	D
53560910-10AC	091-483564	250	500	240	C
55560910-10AC	091-553050	200	500	240	C
58560910-10AC	091-553050	200	500	240	B
60560910-10AC	091-554372	330	500	300	B
62560910-10AC	091-634474	340	500	300	C
65560910-10AC	091-634474	340	500	300	B

# 560 MM RADIUS QUARTER MUDGUARD

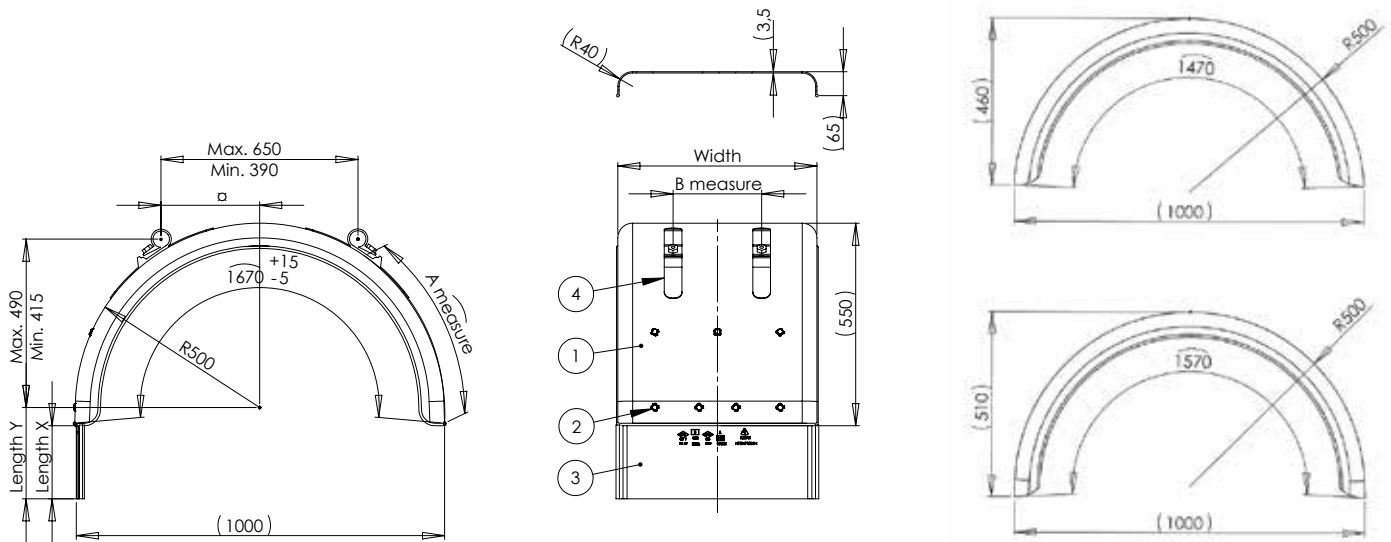
605 mm length



ARTICLE NUMBER	ANTISPRAY CUP	X-LENGTH mm	A mm	B mm	ABC-class
27560605-10	NA	NA	350	140	C
30560605-10	NA	NA	350	140	C
35560605-10	NA	NA	350	140	D
48560605-10AC	091-482857	180	350	240	B
50560605-10AC	091-483564	250	350	240	D
53560605-10AC	091-483564	250	350	240	C
55560605-10AC	091-553050	200	350	240	C
58560605-10AC	091-553050	200	350	240	B
60560605-10AC	091-554372	330	350	300	B
62560605-10AC	091-634474	340	350	300	A
65560605-10AC	091-634474	340	350	300	B

# 500 MM RADIUS FULL MUDGUARD

670 mm length

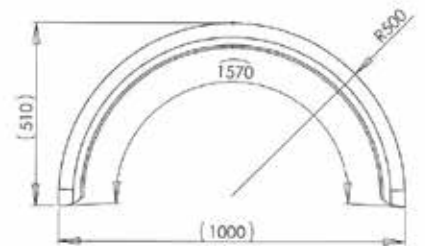
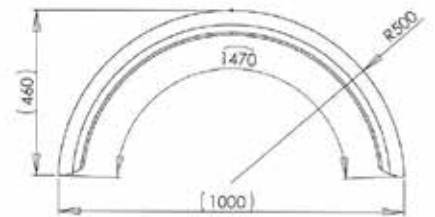
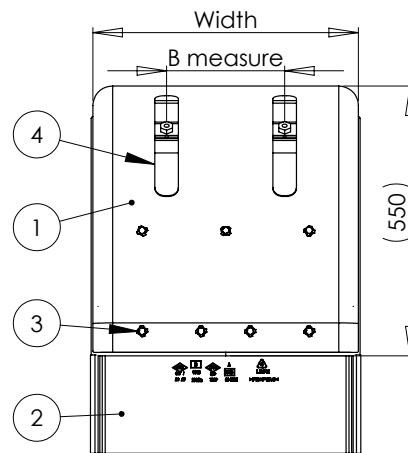
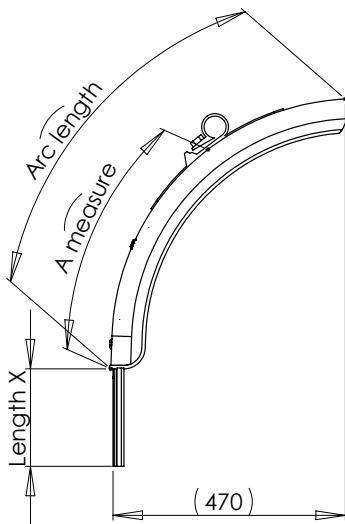


Full Mudwing

ARTICLE NUMBER	ANTI-SPRAY CUP	X-LENGTH mm	Y-LENGTH mm	A mm	B mm	ABC-class
27501670-10	NA	NA	NA	535	140	B
32501670-10	NA	NA	NA	535	240	B
40501670-10AC	091-414079	300	350	535	140	D
51501670-10AC	091-482348	130	180	535	240	B
54501670-10AC	091-553050	200	250	535	240	B

# 500 MM RADIUS HALF MUDGUARD

815 mm length

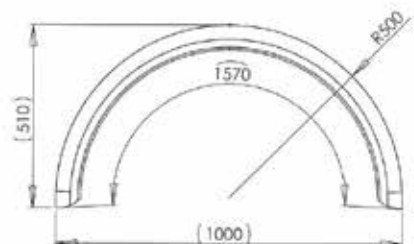
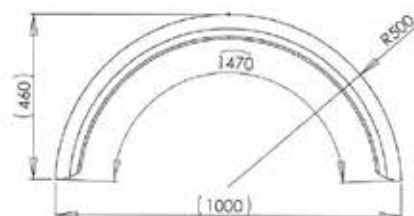
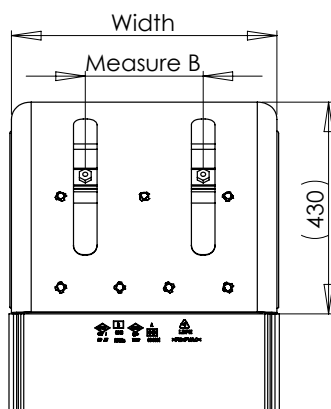
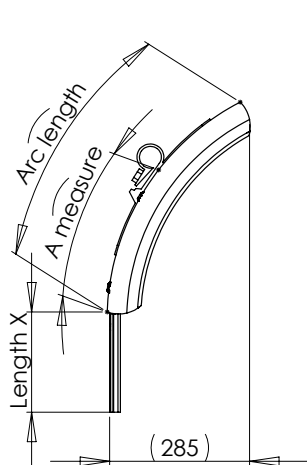


ARTICLE NUMBER	ANTISPRAY CUP	X-LENGTH mm	A mm	B mm	ABC-class
27500815-10	NA		500	140	B
32500815-10	NA		500	140	B
40500815-10AC	091-414079	300	500	140	D
51500815-10AC	091-482348	130	500	240	B
54500815-10AC	091-553050	200	500	240	B



# 500 MM RADIUS QUARTER MUDGUARD

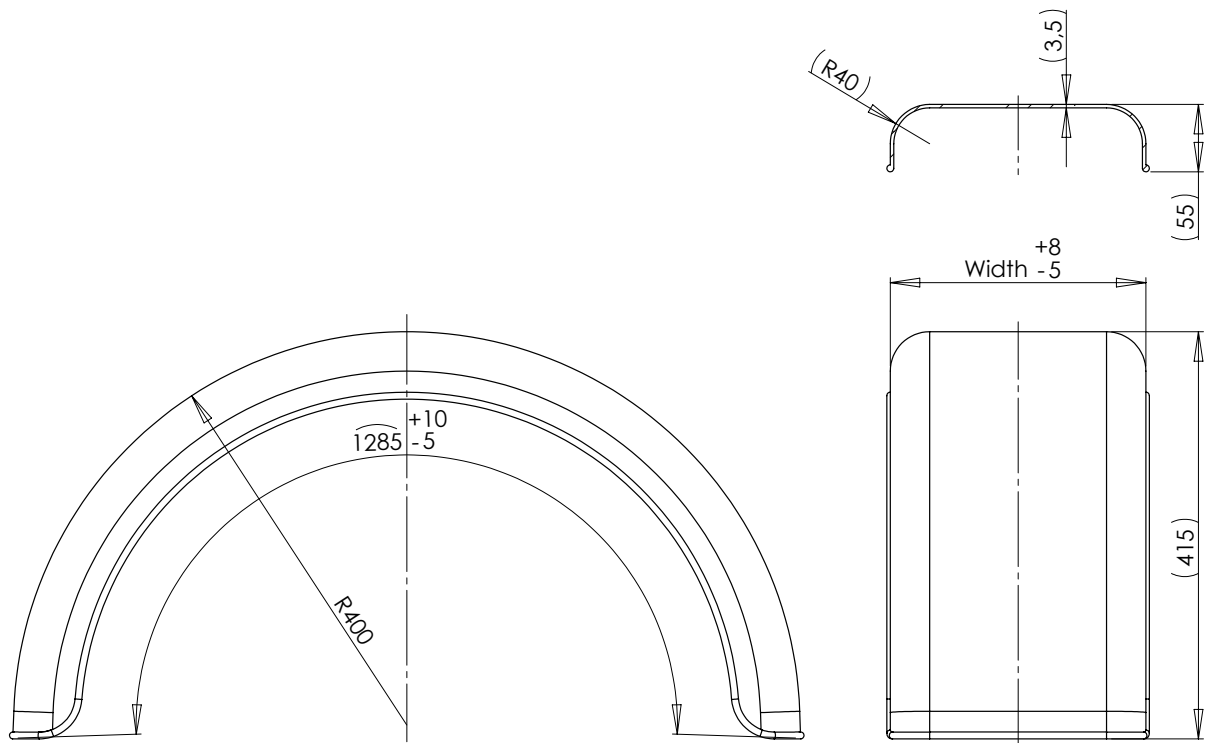
530 mm length



ARTICLE NUMBER	ANTISPRAY CUP	X-LENGTH mm	A mm	B mm	ABC-class
27500530-10	NA		275	240	B
32500530-10	NA		275	240	B
40500530-10AC	091-414079	300	275	240	D
51500530-10AC	091-482348	130	275	240	B
54500530-10AC	091-553050	200	275	240	B

# 400 MM RADIUS FULL MUDGUARD

285 mm length

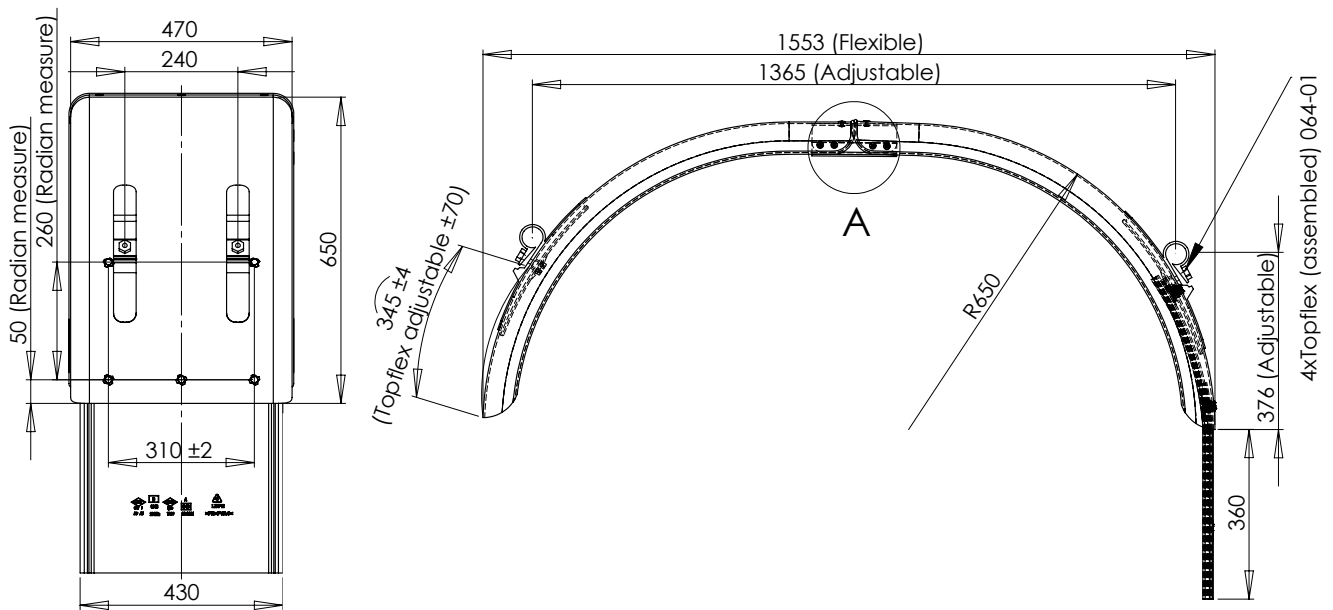


ARTICLE NUMBER	WIDTH mm	RADIUS mm	ARC LENGTH mm	ABC-class
20401285	200	400	1285	D
22401285	220	400	1285	C
24401285	240	400	1285	C
26401285	260	400	1285	C
42401285	420	400	1285	C
45401285	450	400	1285	D



Mudguard suitable for steering axle

# STEERFLEX



ARTICLE NUMBER	WIDTH (W) mm	RADIUS (R) mm	LENGTH (L) mm	SPAN (S) mm	WEIGHT kg	ABC-class
S 060-47652270-10AC	470	650	2270	1553	7,5	B

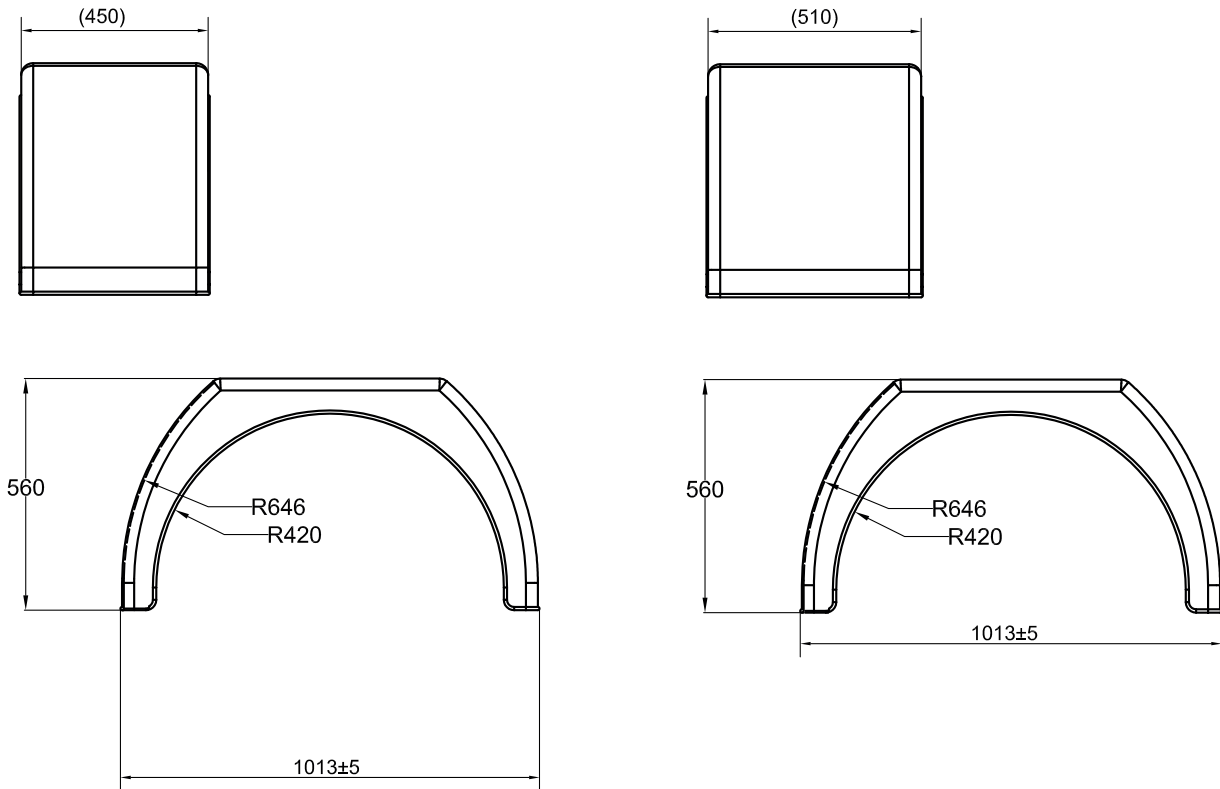
## PRODUCT CHARACTERISTICS:

- I Greenflex mudguard solution, impact resistant -30°C to +80°C
- I Solution delivered with Sprayflex antispray mounted with Cupflex and 4 Topflex holders for fast and easy mounting
- I Dimensionally stable, both summer and winter
- I Span width of 1553 mm makes it suitable for steering axle with tire 385/65 R22.5



## Flattop mudguard

# FLATFLEX



ARTICLE NUMBER	WIDTH (W) mm	RADIUS (R) mm	LENGTH (L) mm	SPAN (S) mm	WEIGHT kg	ABC-class
45001800	450	650	-	1013	3,8	B
51001800	510	650	-	1013	4,0	B

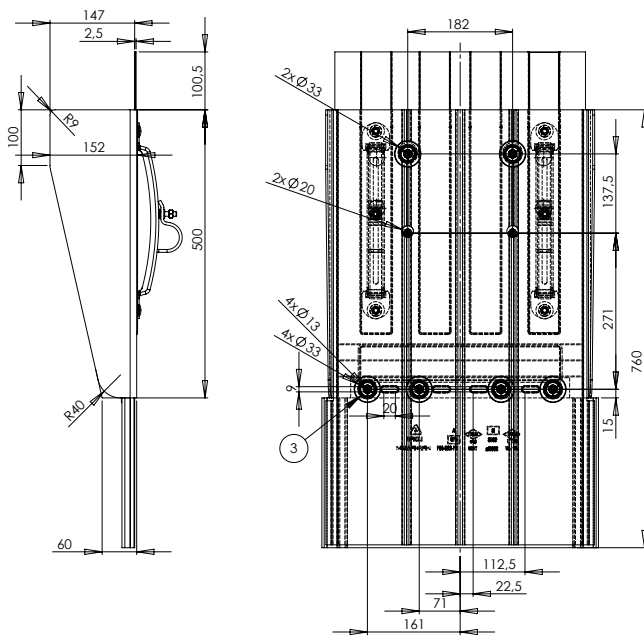
### PRODUCT CHARACTERISTICS:

- | Precision injection moulded flattop mudguard suitable for smaller trucks
- | Dimensionally stable with fine tolerances
- | Flexible both summer and winter
- | Impact proof at extreme temperatures
- | Resistant to tearing
- | Long life, UV resistant
- | Available in both Istoflex (050) and Greenflex (060) material

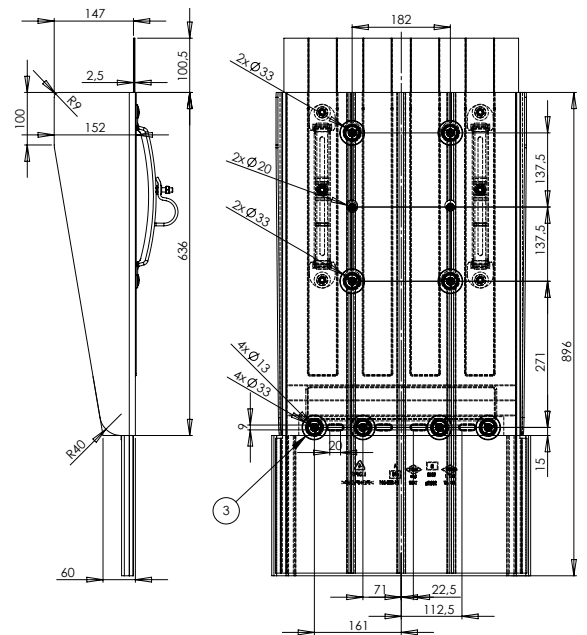


Solution for triple axles

# RIMFLEX



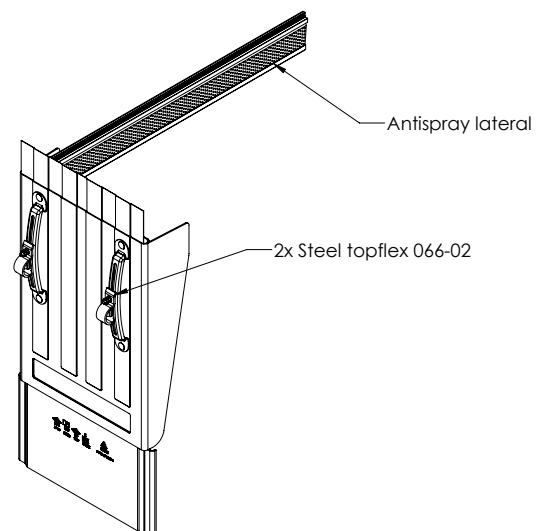
Rimflex, length 600 mm



Rimflex, length 736 mm

## PRODUCT CHARACTERISTICS:

- I Greenflex mudguard solution, impact resistant  
-30°C to + 80°C
- I Dimensionally stable, both summer and winter
- I Mounted with metal Topflex holders and Sprayflex antispray
- I Variable length (span), up to 400 cm
- I Two lengths of mudguards: 600 mm and 736 mm
- I Antispray mounted with bolts and nuts



Rimflex side antispray



ARTICLE NUMBER	DESCRIPTION	WIDTH (W) mm	LENGTH (L) mm	WEIGHT kg	ABC-class
056-43020600	Spat mudguard, short	435	600	1,15	B
056-43020600A	Spat mudguard, short with antispray	435	600	2,7	B
056-43020600-19	Spat mudguard, short with Topflex holders	435	600	2,11	B
056-43020600-19A	Spat mudguard w/Topflex, antispray	435	600	3,63	B
056-43020736	Spat mudguard, long	435	736	1,2	B
056-43020736-A	Spat mudguard, long with antispray	435	736	3,0	B
056-43020736-19	Spat mudguard, long with Topflex holders	435	736	2,16	B
056-43020736-19A	Spat mudguard, long w/Topflex, antispray	435	736	3,92	B
59020223	Side panel, L: 400 cm	-	4000	1,2	B
59020400	Alu profile, L: 400 cm	-	4000	2,0	B





# ANTISPRAY PROTECTION SYSTEMS

**The overall purpose with an antispray is to reduce waterspray from the tires as it not only makes it more safe to overtake another vehicle but also enables the chauffeur to orientate oneself about the surroundings.**







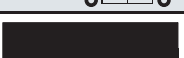
## EC Type Approval/Antispray

EC type Approval is a legal requirement for all EU countries and makes it possible for the manufacturer to apply for homologation in any member state. Vehicles in categories N and O, cf. below table, with the exception of off-road vehicles defined in Annex II to Directive 2007/46/EC, shall be fitted with antispray

devices according to Regulation (EC) No. 661/2009, amended by Regulation (EC) No. 407/2011. The former replaces the Directive 91/226/EEC, amended by Directive 2010/19/EU.

Regulation (EU) No. 109/2011 implements Regulation (EC) No. 661/2009.

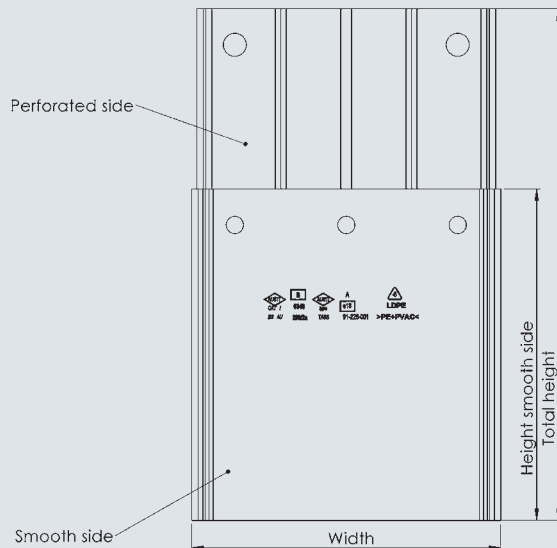
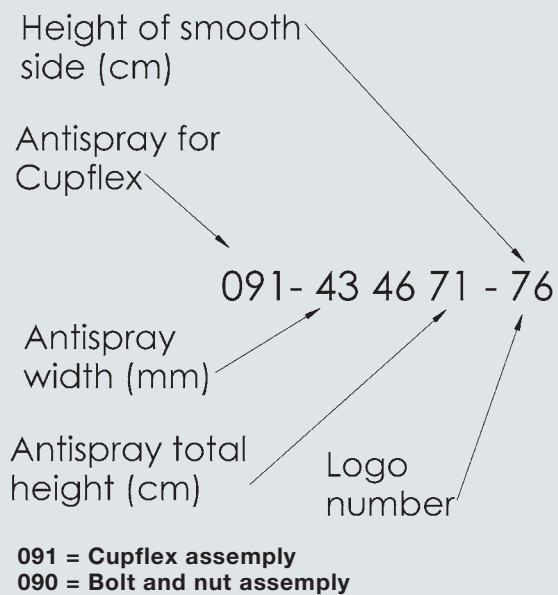
## SCOPE

GOODS VEHICLES CATEGORY		DESCRIPTION	WEIGHT	SPRAY DIRECTIVE
N		Motor vehicles with at least 4 wheels designed and constructed for the carriage of goods		Mandatory (exemptions see below)
N <sub>1</sub>		Goods vehicles	No more than 3.5 t	Optional
N <sub>2</sub>		Medium size vans and trucks	Over 3.5 t but no more than 12 t	Optional up to 7.5 t Mandatory over 7.5 t
N <sub>3</sub>		Heavy trucks and vans	Over 12 t	Mandatory
<b>Trailers</b>				
O		Trailers (including semi-trailers)		Mandatory (exemptions see below)
O <sub>1</sub>		Small trailers	No more than 0.75 t	Optional
O <sub>2</sub>		Trailers	Over 0.75 t but no more than 3.5 t	Optional
O <sub>3</sub>		Medium trailers	Over 3.5 t but no more than 10 t	Mandatory
O <sub>4</sub>		Heavy trailers	Over 10 t	Mandatory

# ANTISPRAY ARTICLE NO.

**How to understand the article number of antispray.**  
**An antispray consists of two parts; an inner side with the antispray function and the smooth side, at which the logo usually is located.**

The article number of HBN antisprays contains type of material, sizes and many more details. Below is explained how you easily identify your HBN antispray. As an example below, the article code 091-434671-76 is used.



**When antispray is mounted, the mudflap system must catch minimum 70% of the water spray and return it to the road surface as water droplets.**

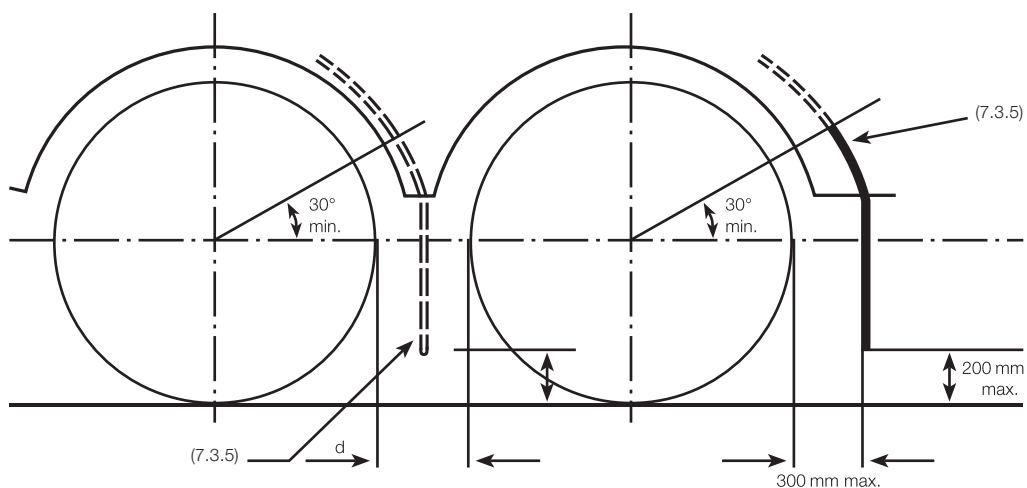
### Position of the mudguard and antispray

The mudguard must cover the zone immediately above, ahead and behind the tyre or tyres. Their front and rear extremities must extend at least to the horizontal plane that is tangent to the upper edge of the tyre or tyres, however, the rear extremity may be replaced by the antispray, in which case this must extend to the upper part of the mudguard (or equivalent component), cf. below drawing.

The orientation of the antispray must be basically vertical, and the maximum height of the bottom edge must not exceed 200 mm, cf. below drawing. Under certain circumstances this distance may be increased to 300 mm.

In case of multiple axles where the difference between the tyres on adjacent axles is less than 250 mm, only the rear set of wheels must be fitted with antispray, otherwise antispray is needed behind each wheel when the distance is at least 250 mm.

Antispray must not be deflected by more than 100 mm towards the rear under a force of 3 N per 100 mm of the flap width, applied to a point located 50 mm above the lower edge of the antispray. Above information is not exhaustive, but include key points from the Regulation (EU) No. 109/2011.



**Mudguard extended with antispray**

# SPRAYFLEX®

## Improving safety on the roads

- | Sprayflex complies with the EU-directive No. 91/226-001
- | SPRAYFLEX® reduces waterspray by up to 77%
- | Impact resistant even at extreme temperatures
- | Self-cleaning for snow, ice and mud
- | No corrosion, maintenance free
- | Easy mounting with Cupflex

## WITH CUPFLEX

ARTICLE NUMBER	DIMENSIONS
091-414079-00	410X400/790
091-433567-00	430X350/670
091-434671-00	430X460/710
091-482348-00	480X230/480
091-483375-00	480X300/750
091-483564-00	480X350/640
091-553050-00	550X300/500
091-554082-00	550X400/820
091-554372-00	550X430/720
091-634474-00	630X440/740
091-663372-00	660X330/720
091-683481-00	680X340/810

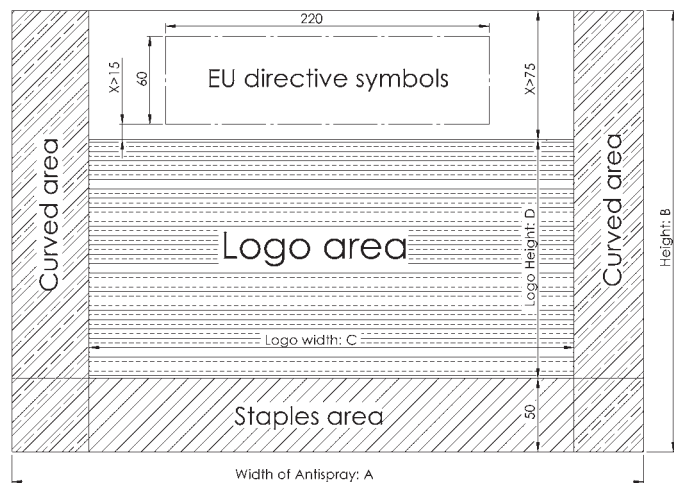
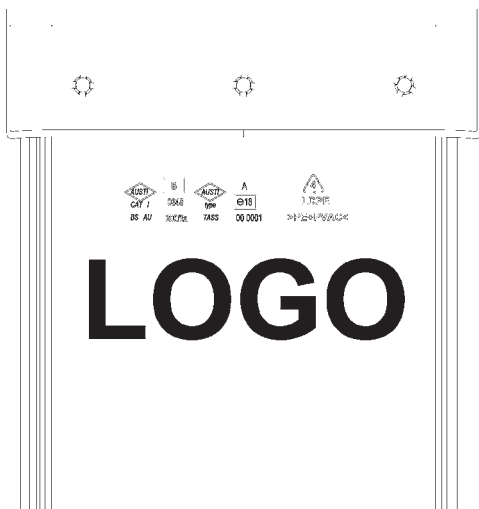
## WITH BOLT AND NUT

ARTICLE NUMBER	DIMENSIONS
090-433070-00	430X300/700
090-434078-00	430X400/780
090-434580-00	430X450/800
090-435085-00	430X500/853
090-435186-00	430X510/860
090-482458-00	480X235/580
090-483076-00	480X299/755
090-483375-00	480X330/750
090-553050-00	550X300/500
090-554082-00	550X400/820
090-554270-00	X425/700
090-633373-00	630X325/730
090-634383-00	630X425/825
090-634590-00	630X450/900
090-635191-00	630X513/905
090-674085-00	674X400/850
090-675082-00	674X500/820
090-675486-00	674X540/860

# ANTISPRAY LOGO SIZE

## Increase your branding with a logo on the antispray

HBN-Teknik also offers our customers to include their logo on the antispray. The size of the logo depends on the size of the antispray, but in general the following rule applies:

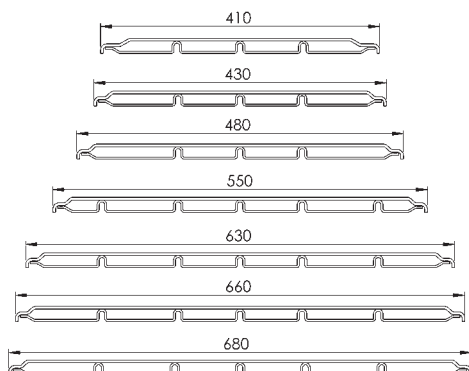


Height B is equal to the height of the antispray smooth side minus 10 cm. Or equal to length X. See mud-guard standard drawings.

Logo height is given by the height of the mudflap mi-

nus the space for EU symbols and the stamping area:  $D = B - 75 - 50$ . Thickness of logo letters & symbols must be less than 30 mm.

### Available antispray widths, mm



### Width, cm

- 410
- 430
- 480
- 550
- 630
- 660
- 680

### Logo width, mm

- 310
- 330
- 380
- 450
- 530
- 560
- 580

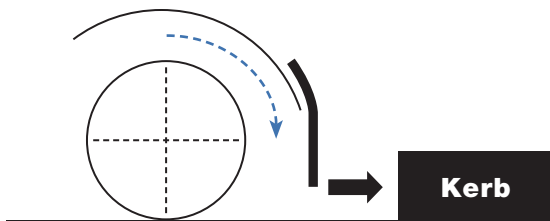


# CUPFLEX

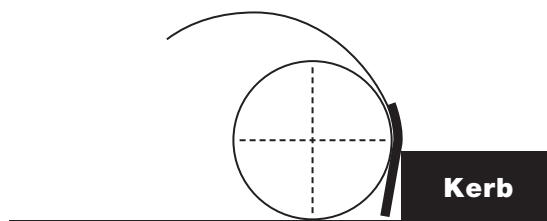
## Fast and easy assembly with Cupflex solution

Traditionally the mudguard and antispray are assembled with bolts and nuts. HBN-Teknik offers instead the Cupflex solution, which is very inexpensive and extremely fast to mount. It cannot corrode – and it looks good.

The Cupflex solution also protects the mudguard system and stays, when driving backwards and hitting the kerb. If that happens, only the Cupflex solution breaks leaving the rest unharmed.



Mudguard solution with standard bolt and nuts



Mudguard with our Cupflex solution

### In comparison to bolts and nuts:

- I Cupflex is cheaper
- I Faster assembling
- I No damages on the mudguard and stays, when driving backwards hitting the kerb
- I Cupflex gives a nice look

# HOLDERS IN PLASTIC AND METAL

HBN offers a wide range of holders in both plastic and metal.

In general, we recommend to use the Topflex holder for the standard solutions for several reasons:

- I Easy to assemble due to high flexibility, adjustable +/- 70 mm
- I Fast assembly and dismantling – only one bolt to tighten
- I Removable part makes it suitable for both Ø 42,4 mm and Ø 40,0 mm stays
- I Plastic part widens the diameter for easy assembly to the stays
- I Impact proof material



**064-01**  
TOPFLEX holder,  
black polymer, suitable  
for both Ø 40,0 and  
Ø 42,4 stays

Easy to mount due  
to high flexibility  
and only one screw  
to tighten.





**069-01**  
MAXFLEX holder,  
black polymer, suitable for both Ø 40,0  
and Ø 42,4 stays



**066-01**  
TOPFLEX holder,  
black-coated steel, adjustable  
holder with scala. Ø 42,4



**066-01G**  
TOPFLEX holder, galvanized,  
adjustable holder with scala. Ø 42,4

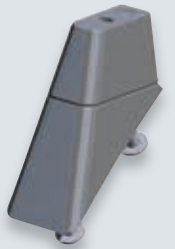


**066-02**  
TOPFLEX holder, black-coated steel,  
adjustable holder with scala. Ø 42,4,  
suitable for the RIMFLEX mudguards



**066-08G**  
TOPFLEX holder, galvanized,  
adjustable holder with scala, Ø 52,0

**065-01-01**  
EASYFLEX holder,  
black polymer  
for mounting the  
mudguard directly  
into the chassis



**065-01-02**  
EASYFLEX extension, black polymer,  
for use in combination with Easyflex  
holder to increase height

# STAYS

**As a solution supplier, HBN-Teknik also offers a high-quality range of black-coated stays, both straight- and bended versions.**

- I Two types: Straight- and bended versions
- I Two lengths: 540 mm and 640 mm
- I Black-coated for long lifetime
- I Zinc plated washers and nuts

ARTICLE NUMBER	DESCRIPTION	LENGTH mm	DIAMETER Ø mm	ABC-CLASS
076-5400 B	Black-coated stays, straight	540	400	C
076-5401 B	Black-coated stays, bended	540	400	C
076-6400 B	Black-coated stays, straight	640	400	C
076-6401 B	Black-coated stays, bended	640	400	C



076-5400 B

076-5401 B

076-6400 B

076-6401 B

# PACKAGING

HBN-Teknik provides numerous solutions in packaging, from standard solutions as shown below to tailormade solutions, optimized to be delivered directly to the production line. The number of pieces per pallet depends on the size of the mudguards and number of layers.

## Standard solutions:



### Standard EUR-pallet, size 120 x 80 cm

Mudguard solutions are as standard delivered on EUR-pallets. Anti-slip layer is used at the bottom and reinforced tape is used around the mudguards to prevent sliding during transportation.

To optimize the internal handling, each layer/colli is wrapped in plastic.



### Mega pallet, size 2240 x 1500 cm

When ordering high-volume mudguards for inhouse storing, this solution is recommended as it reduces the freight costs due to the optimized packaging. Cardboard layer is used at the bottom and between each layer of mudguards. The whole pallet is wrapped in shrink-foil.



### Outdoor Mega pallet, size 2350 x 1450 cm

This solution is as the Mega pallet solution recommended for delivering high-volume mudguards, but for outside storage.

Cardboard layer is placed at the bottom and between each layer of mudguards. After the first two layers of mudguards, a light wood pallet is used to add rigidity. The construction is reinforced with wood posts to add increased strength. The hole pallet is wrapped in shrink-foil.

# TAILOR MADE MUDGUARDS

## INNOVATION THROUGH STRONG PARTNERSHIPS

**To be better is by definition to be different. Being an innovative company, we must have the courage to be different and to try new ways of solving problems and to develop our future business. We know that innovation is not an option but a prerequisite for our and your growth and future success.**

**Our innovation approach** is not primarily based on what we can do and what trills the engineering mind – we seek novel solutions that will make a significant improvement for our present and future customers. Accordingly, we develop strong relations with our key customers and we involve them early in the projects. We think solutions more than products and strive to find new ways of making it easier for our customers to achieve and meet their goals and objectives.

**Our lightweight philosophy** is not primarily about straightforward replacement of metal parts into corresponding composite components. We fully utilize the opportunities that composite technology offers to develop unique solutions that hopefully can do more than the replaced metal parts.

### Complying with standards

HBN holds numerous of quality certificates that comply with the Automotive and TÜV standards for design and manufacturing of Plastic & Composite products. With a vision of being the benchmark in its field HBN strives to deliver the highest possible quality in everything we do. For HBN quality is part of our culture and a way of thinking through the whole value chain of the company, starting with customer expectations and requirements to the performance of our suppliers. Important reasons why major original equipment manufacturers see us as a reliable business partner.





3-part mudguard with antispray especially developed for a truck manufacturer. Contact HBN-Teknik and let us quote your next truck project. The shown rear lamp is an ERMAX TM10 Full-LED - unbreakable from Transport Teknik. [www.transport-teknik.dk](http://www.transport-teknik.dk)

# HBN-TEKNIK A/S

## TRANSFORMS TRADITIONAL METAL PARTS INTO APPEALING LIGHTWEIGHT COMPOSITE SOLUTIONS FOR COMMERCIAL VEHICLES

Our lightweight philosophy is not primarily about straightforward replacement of metal parts into corresponding composite components, but to utilize the opportunities that the composite technology offers to develop unique solutions that hopefully can do more than the replaced metal parts. Through our R&D department in Denmark we offer unique development skills in accordance to the processes described below.

### Lightweight design

#### **Fast processing of your requirements due to skilled engineers and newest software**

HBN has a long heritage of lightweight design with fiber reinforced materials. Our deep knowledge and many years of experience enable us to fully utilize the opportunities of designing with these materials. Integrating several functions into one component implies smarter and more compact solutions and fewer parts to assemble. Consequently, it helps to reduce the system weight, reduces the number of spare parts and lowers the overall costs to mention a few benefits.

### Process simulation

#### **Reduces time-to-market and optimizes tooling**

By utilizing state of the art process simulation software we can assure the manufacturability of new products, limit the risk of expensive tooling reworks and optimize the weight of your parts to a minimum (especially when using fiber reinforced materials). This also assures shortest time to market for your product. For fiber reinforced material we are able to analyze and use the anisotropy for later FEM analysis.



## Structural analysis

### Optimizes quality and price per unit due to modern analysis software

FRP (Fiber Reinforced Polymers) includes different materials with a vast variety of specific characteristics. Through advanced finite element method (FEM), HBN finds the optimal design solutions and the most cost-effective production through integrated simulation technology, including:

- ! Anisotropic material behavior
- ! Material and geometric nonlinearities
- ! Strain-rate sensitivity
- ! Tensile compression asymmetry
- ! Part behavior and failure modelling
- ! Temperature dependence

## Testing and quality assurance

### High and stable quality assured by state of the art testing equipment

With over 40 years of experience HBN has a good and thorough understanding of plastic material behavior and strength. Through own testing facilities and close cooperation with suppliers and external partners HBN carries out rigorous tests to ensure that the functionality, durability and quality of our products comply with the highest standards in the market. Our tests comply with the automotive industry standard and some examples are:

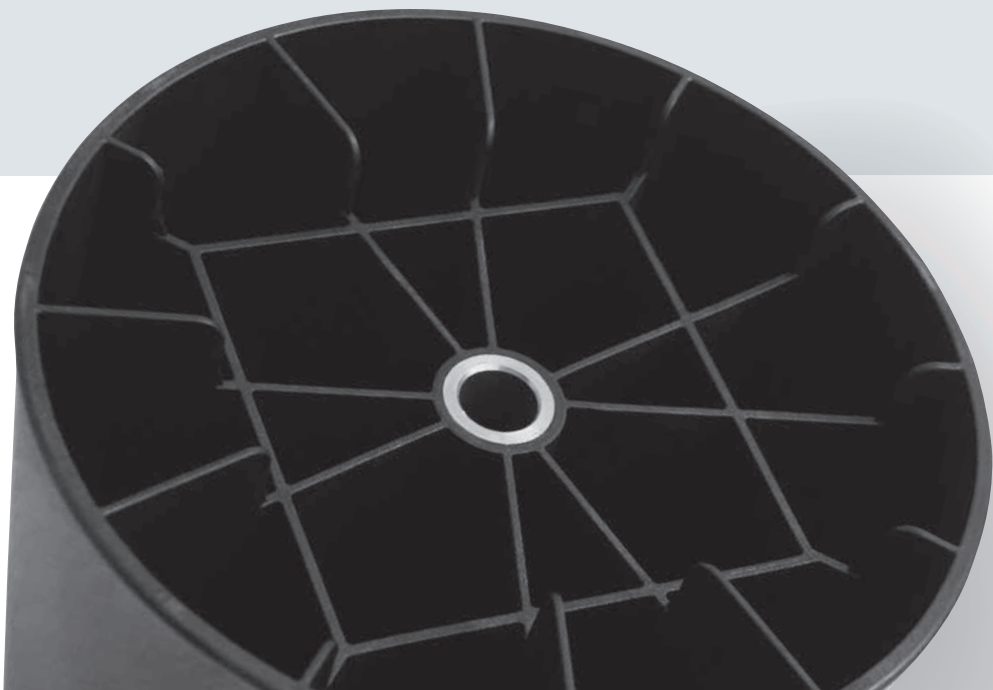
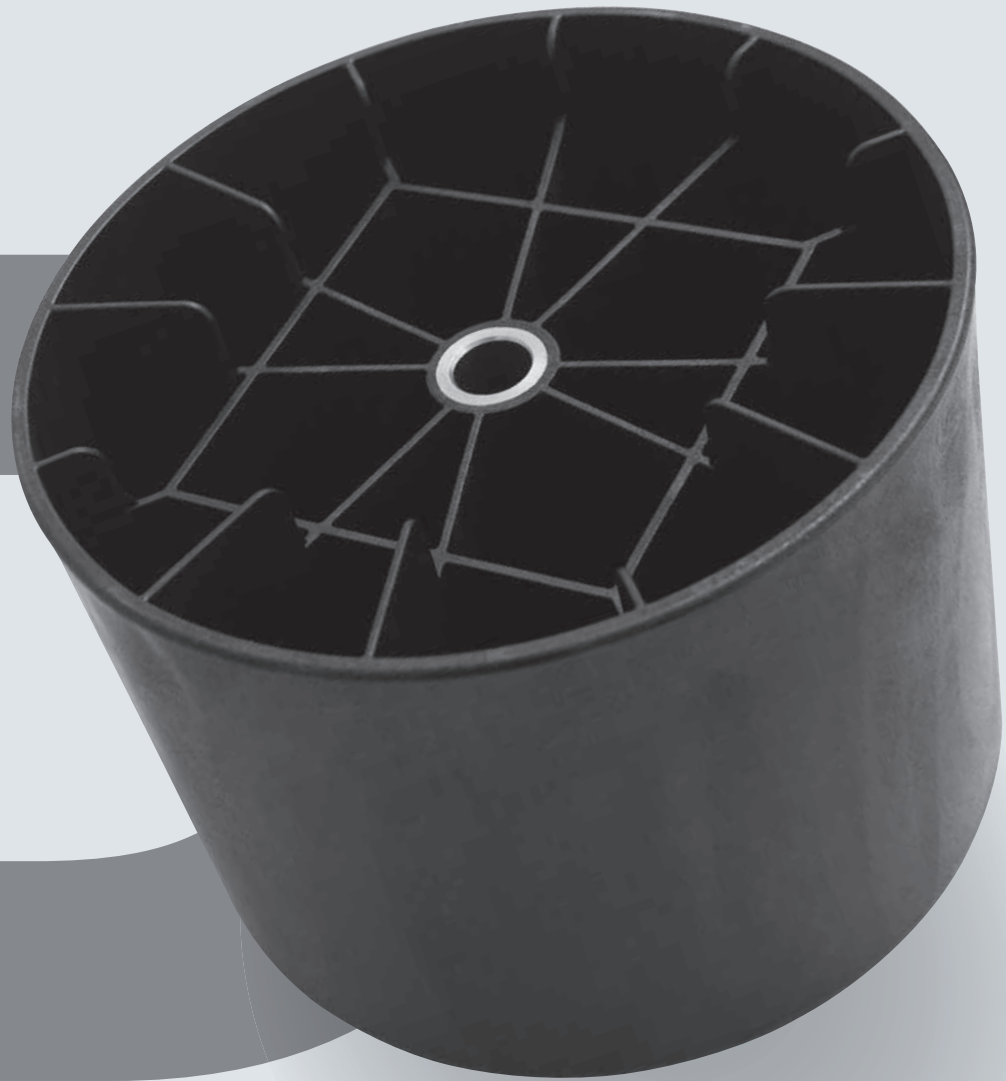
- ! Modular Bench tests
- ! Durability test
- ! Burst pressure tests
- ! Temperature tests
- ! Impact test
- ! Cycle test
- ! Field tests

## Process validation and stable serial production

### Secures quality products and a high delivery performance

To secure highly functional and reliable products HBN production equipment consists of state of the art machinery and fully automatic processes. We surveille our processes and products constantly (SPC) to ensure a high quality and robust production of your product. Our advanced manufacturing processes and techniques include:

- ! Injection moulding machines from 1,200 – 26,000 KN
- ! Spin welding machines
- ! Extrusion lines
- ! Hot stamping





# AIR SPRING PISTONS

## INCREASING VEHICLE STANDARDS CALLS FOR UNIQUE DESIGNS

**Customer requirements for safer equipment, higher comfort and cost effective solution demands for out of the box thinking. Our composite air spring piston with inner volume technology does exactly that for our customers which is also the reason that we are the benchmark in the industry with leading OEM's using our solutions worldwide.**

The air spring piston is a heavy duty and high performance component that helps to protect the payload and the body of commercial vehicles from the enormous forces caused by challenging road conditions. The piston together with an air bellow forms a system solution that carries the entire axle load of the vehicle. The main function of the piston is to provide stability, whereas the air filled rubber bellow is attached to the piston to provide springing.

Through innovative development we provide not only weight savings up to 70% compared to steel but also help to increase driving comfort. With a customized design, we provide the vehicle with a higher inside air volume capacity in the air suspension system. Not to mention a smooth transportation that comes with maintenance free solutions.

### How is this possible

A working piston experiences not only an air pressure of up to 10 bars but also, in extreme cases, axle loads up to 14 metric tons. To meet these requirements, we integrate a rib structure into the component which has been developed through several computerized simulations to find the optimal design and injection process, ensuring that the piston can withstand the desired load requirements. Worst case simulations combined with bad road tests confirm that vehicles with our pistons are equipped for worldwide transport applications. With the end result of being substantial lighter, more cost effective and corrosion resistant compared to its metal predecessor.

### Keeping overall costs down

To achieve an overall effective solution, it is not enough to barely consider the design of the component and choice of material to reach a desired cost level without compromising. We also provide extensive knowledge in tool design which we combine with our long production experience, which is a necessity to keep cycle times to a minimum. Our solutions have a modular construction to cover a variety of applications. Depending on the type of vehicle and performance profile required, the piston can be manufactured with different heights by using ancillary components.

# ISTOFLEX® AND GREENFLEX® MUDGUARD FINDER

Look for the desired wheel- and tire size below and find the correct HBN mudguard.

## HBN Mudguard Finder

With more than 700 products, the Mudguard Finder is the tool to find the right mudguard suited for your vehicle as it includes the most used tire sizes, sorted by the rim size. Be aware, that the width of the mudguard always is wider than the width of the tire or tires in dual formation.

TIRE SIZE	TIRE WIDTH mm	TIRE RADIUS mm	CENTRE DISTANCE mm	TIRE FITMENT	ALT. SUGGESTED MUDGUARD	FULL MUDGUARD 1/1
<b>10" LIGHT WEIGHT</b>						<b>ARTICLE NUMBER</b>
7.50R	209	321		S		26401285
			240	D		45401285
<b>12" LIGHT WEIGHT</b>						<b>ARTICLE NUMBER</b>
7.00R	187-193	330-340		S		24401285
			220-225	D		45401285
145R	140			S		22401285
155/70	155			S		22401285
155R	150			S		22401285
<b>13" LIGHT WEIGHT</b>						<b>ARTICLE NUMBER</b>
6.70R	173	328		S		22401285
165R	160	300				22401285
175R	170	309		S		22401285
185/75	187	307		S		24401285
185R	180	317		S		24401285
<b>14" LIGHT WEIGHT</b>						<b>ARTICLE NUMBER</b>
6.50R	164	325		S		22401285
165/70	163	293		S		22401285
165R	160	312		S		22401285
175/65	172	292		S		24401285
175/75	179	312		S		24401285
175R	173	318		S		24401285
185/65	183	298		S		24401285
185R	184	330		S		24401285
195/65	192	305		S		24401285
195/70	190	314		S		24401285
195R	190	338		S		24401285
205/70	203	321		S		24401285
205R	200	346		S		24401285
215R	210	354		S		24401285

By locating the wheel- and tire size the corresponding HBN article number is easily identified. The table also indicate if it is a Single (S) or Double (D) tire fitment.

If a 1/2- or 1/3- size mudguard is requested or a solution with Topflex holders and Sprayflex antispray, the corresponding article number can be found on page 12 to 26 depending on the chosen radius.

In addition to this the length of the arc can always be cut to desired dimensions.

To select raw material quality, simply add "050-" for Istoflex or "060-" for Greenflex.

TIRE SIZE	TIRE WIDTH mm	TIRE RADIUS mm	CENTRE DISTANCE mm	TIRE FITMENT	ALT. SUGGESTED MUDGUARD	FULL MUDGUARD 1/1
<b>15" LIGHT WEIGHT</b>						<b>ARTICLE NUMBER</b>
7.50R	208-223	357		S		27501670
			230-247	D		51501670
9.00R	248	415		S		27501670
10.00R	268	455	305-315	D		65561870
185/65	181	311		S		24401285
185R	180	342		S		24401285
195/55	195	298		S		24401285
195/65	192	317		S		24401285
195/70	190	327		S		24401285
195R	190	350		S		24401285
205/60	202	314		S		24401285
205/65	202	324		S		24401285
205/70	200	334		S		24401285
205/80	203	355		S		26401285
215/65	213	330		S		24401285
215/70	210	341		S		24401285
215/75	210	354		S		24401285
215R	210	367		S		26401285
225/70	225	348		S		26401285
<b>16" LIGHT WEIGHT</b>						<b>ARTICLE NUMBER</b>
7.00R	206-211	365		S		27501670
			225	D		51501670
7.50R	208-223	371		S		27501670
			242	D		51501670
8.25R	239	397		S		51501670
			265	D		55561870
9.00R	258-273	471		S		27561870
			285-302	D		58561870
11.00R	290-307	498		S		40612000
			321-340	D		65612000

**The printed Mudguard-Finder includes the most used tire sizes, sorted by the rim size.**

For some tires, an alternative (alt.) mudguard article number has been included as both mudguards are suitable. Which one to choose depends on customer preferences and/or special conditions. We therefore recommend to double-check the exact measures for each of the suitable mudguards in the specifications tables from page 61. Please contact us if you do not find the requested size as we continuously add new sizes to our range.

TIRE SIZE	TIRE WIDTH mm	TIRE RADIUS mm	CENTRE DISTANCE mm	TIRE FITMENT	ALT. SUGGESTED MUDGUARD	FULL MUDGUARD 1/1
<b>16" LIGHT WEIGHT</b>						<b>ARTICLE NUMBER</b>
175/75	170	338		S		24401285
175/80	170	347		S		24401285
185/75	186	345		S		24401285
195/50	195	301		S		24401285
195/55	195	310		S		24401285
195/60	193	320		S		24401285
195/65	192	330		S		24401285
195/75	190	339		S		24401285
205/45	205	295		S		24401285
205/50	205	306		S		24401285
205/55	205	316		S		24401285
205/60	203	326		S		24401285
205/65	202	336		S		24401285
205/75	200	355		S		24401285
205/80	200	370		S		24401285
215/55	215	321		S		24401285
215/60	215	332		S		24401285
215/65	212	343		S		24401285
215/70	210	354		S		24401285
215/75	210	363		S		27501670
215/85	216	390		S		27501670
225/50	225	316		S		26401285
225/55	225	327		S		26401285
225/60	223	338		S		26401285
225/65	222	349		S		26401285
225/70	220	361		S		27501670
225/75	220	373		S		27501670
235/60	233	344		S		26401285
235/65	232	356		S		27501670
235/70	230	368		S		27501670
235/75	230	378		S		27501670
235/85	239	407		S		27501670
245/70	240	375		S		27501670
245/75	240	387		S		27501670

TIRE SIZE	TIRE WIDTH mm	TIRE RADIUS mm	CENTRE DISTANCE mm	TIRE FITMENT	ALT. SUGGESTED MUDGUARD	FULL MUDGUARD 1/1
<b>17" LIGHT WEIGHT</b>						<b>ARTICLE NUMBER</b>
6.50R	170	384		S		24481570
8.25R	230	443		S		30561870
			260	D		55561870
185/60	185	327		S		27501670
205/50	205	318		S		27501670
215/50	215	323		S		27501670
215/60	215	345		S		27501670
225/55	225	340		S		27501670
225/65	223	362		S		27501670
235/55	235	345		S		27501670
235/60	235	357		S		27501670
235/65	232	369		S		27501670
255/50	255	343		S		27501670
255/60	254	369		S		27501670
265/70	263	401		S		27501670
305/70	302	429		S		27501670
<b>17,5" LIGHT WEIGHT</b>						<b>ARTICLE NUMBER</b>
8R	208	367		S		27501670
				D		51601670
8,5R	216	374		S		27501670
				D		51501670
9,5R	230	398		S		27501670
				D		40501670
10R	256-264	422		S		35561870
				D		60561870
195/60	202	342		S		27501670
195/70	202	362		S		27501670
195/80	202	382		S		27501670
205/60	209	348		S		27501670
205/70	209	370		S		27501670
205/75	202	361		S		27501670
				D		51501670
205/80	209	390		S		27501670
215/70	217	377		S		27501670
215/75	211	369		S		27501670
				D		51501670

TIRE SIZE	TIRE WIDTH mm	TIRE RADIUS mm	CENTRE DISTANCE mm	TIRE FITMENT	ALT. SUGGESTED MUDGUARD	FULL MUDGUARD 1/1
<b>17,5" HEAVY WEIGHT</b>						<b>ARTICLE NUMBER</b>
8R	211	395		S		27501670
			225-234	D		51501670
8.5R	218	404		S		27501670
			233-251	D		51501670
9R	234	413		S		27501670
9.5R	243	424		S		27501670
			262	D		40501670
10R	258	432		S		35561870
			277-286	D		60561870
11R	283	454		S		35561870
205/75	212	380		S		27501670
			240	D		51501670
215/75	215	387		S		27501670
			250	D		51501670
				D	Alt.	40501670
225/70	230	384		S		27501670
225/75	232	395		S		27501670
235/75	246	402		S		27501670
			262-271	D		40501670
				D	Alt	55561700
245/70	254	398		S		55561700
			270-279	D		55561700
				D	Alt.	60561870
245/75	254	410		S		27501670
265/55	270	372		S		32501670
265/70	269	412		S		32501670
355/45	361	386		S		40501670
365/70	369	490		S		48561870
385/55	384	444		S		48561870

TIRE SIZE	TIRE WIDTH mm	TIRE RADIUS mm	CENTRE DISTANCE mm	TIRE FITMENT	ALT. SUGGESTED MUDGUARD	FULL MUDGUARD 1/1
<b>18,5" HEAVY WEIGHT</b>						<b>ARTICLE NUMBER</b>
275/65	284	411		S		35561870
275/80	285	453		S		35561870
355/60	362	446		S		48561870
365/70	369	490		S		48561870
385/55	384	444		S		48561870
<b>19,5" HEAVY WEIGHT</b>						<b>ARTICLE NUMBER</b>
7R	185	400		S		24481570
			198	D		44481530
8R	216	397		S		27561870
			228	D		50561870
9R	250	423		S		27561870
			259	D		53561870
9.5R	235	452		S		30561870
			274-288	D		55561870
				D	Alt.	55561700
10R	256	472		S		33561870
				D		55561870
				D	Alt.	55561700
11R	284	489		S		33561870
				D		55561870
12R	305	508		S		40612000
				D		65612000
14R	340	499		S		45612000
15R	393	503		S		45612000
16.5R	430	527		S		45612000
18R	464	546		S		50612000
19.5	500	567		S		50612000
245/65	252	423		S		27561870
245/70	254	389	270	D		55561700
				D	Alt.	60561870
265/55	270	394		S		30561870
265/70	266	435	301	D		62561700
385/55	384	444		S		51501670

TIRE SIZE	TIRE WIDTH mm	TIRE RADIUS mm	CENTRE DISTANCE mm	TIRE FITMENT	ALT. SUGGESTED MUDGUARD	FULL MUDGUARD 1/1
<b>20" HEAVY WEIGHT</b>						<b>ARTICLE NUMBER</b>
6.50R	181	430		S		24481570
			208	D		44481570
7.00R	198	446		S		27561870
			216	D		48561870
7.50R	210	464		S		27561870
			239	D	Alt.	50561870
				D		53561870
8.25R	233	485		S		30611700
			264	D		55611700
9.00R	266	471		S		30612000
			285-302	D		62612000
10.00R	284	485		S		37651900
			316	D		65651960
				D	Alt.	
10.5R	278	476		S		35561870
11R	290	545		S		37652260
12.00R	315	515		S		37652260
				S	Alt.	
			346-366	D		67652260
12.5R	334	518		S		40612000
12/80R	305	504	329	D		65612000
13.00R	367	572		S		47651900
13/80R	326	524		S		40612000
				S	Alt.	42652260
				D		67652260
				D	Alt.	67651900
14R	374	625		S		47651900
14.5R	367	551		S		45651960
14.75 / 80R	367	572		S		45651960
				S	Alt.	47652260
14/80R	350	545		S		42652260
			355	D		70651900
19.50R	472	564		S		55651960
D20	278	476		S		35612000
D20 Pilote	305	504		S		40612000
E20	289	541-554		S		40612000
E20 Pilote	326	524		S		40612000
F20 Pilote	350	545		S		42652260
			355	S	Alt.	



TIRE SIZE	TIRE WIDTH mm	TIRE RADIUS mm	CENTRE DISTANCE mm	TIRE FITMENT	ALT. SUGGESTED MUDGUARD	FULL MUDGUARD 1/1
<b>20" HEAVY WEIGHT</b>						<b>ARTICLE NUMBER</b>
225/90	231	460		S		35561870
275/80	286	479		S		35561870
335/80	342	528		S		40612000
365/80	371	552		S		37651900
365/85	373	570		S		42651900
375/70	387	523		S		50561870
375/75	431	580		S		47651900
385/95	385	628		S		42651960
395/85	395	567		S		42651960
405/70	417	544		S		47651900
425/75	431	580		S		47651900
475/60	490	540		S		55612000
475/80	486	642		S		55651960
<b>20,5" HEAVY WEIGHT</b>						<b>ARTICLE NUMBER</b>
525/65	541	608		S		62652260
				S	Alt.	62651900
605/70	621	689		S		67652260
				S	Alt.	67651900
615/65	622	667		S		67652260
				S	Alt.	67651900
<b>22" HEAVY WEIGHT</b>						<b>ARTICLE NUMBER</b>
10.00R	275	551		S		35561700
			315	D		62561700
				D	Alt.	64561870
11.00R	286	566		S		37652260
			328	D		67652260
12R	300-309	546		S		37652260
			328	D		67652260
E22	286	566		S		37652260
295/80	302-310	487	326-335	D		70652260

TIRE SIZE	TIRE WIDTH mm	TIRE RADIUS mm	CENTRE DISTANCE mm	TIRE FITMENT	ALT. SUGGESTED MUDGUARD	FULL MUDGUARD 1/1
<b>22,5" HEAVY WEIGHT</b>						<b>ARTICLE NUMBER</b>
8R	208-214	468		S		27561870
			237	D		50561870
9R	300	485		S		30612000
			260	D		55612000
10R	254-264	513		S		30612000
			277-286	D		60612000
				D	Alt.	62612000
11R	282-290	525		S		37651900
			305-314	D		67651900
12R	304-312	542			S	
			329-338	D		70651900
				D	Alt.	70652260
13R	318-326	562		S		37652260
			350-358	D		70652260
15R	387-399	537		S		45651960
16.5R	425-438	561		S		47652260
18R	457-471	580		S		50561870
9/70R	229-236	448		S		35561870
				S	Alt.	37651900
10/70R	254-262	470		S		35561700
			286	D		62561700
11/70R	279-287	480	318	D		65561870
12/70R	305-320	504		S		37652260
13/70R	330-340	520		S		37652260
				S	Alt.	42652260
				S	Alt.	45651960
				S	Alt.	47652260
			350	D		70652260
D22.5 Pilote	312	507		S		40612000
E22.5 Pilote	315	538		S		37652260
215/75	216	453		S		35561870
245/75	254	478		S		35561870
255/75	261	486		S		42652260

TIRE SIZE	TIRE WIDTH mm	TIRE RADIUS mm	CENTRE DISTANCE mm	TIRE FITMENT	ALT. SUGGESTED MUDGUARD	FULL MUDGUARD 1/1
<b>22,5" HEAVY WEIGHT</b>						<b>ARTICLE NUMBER</b>
D22.5 Pilote	312	507		S		40612000
E22.5 Pilote	315	538		S		37652260
215/75R	216	453		S		35561870
245/75R	254	478		S		35561870
255/75R	261	486		S		42652260
			278-295	D		60561870
255/70R	260	468		S		30561870
			278-295	D		60561870
265/60R	269	448		S		35561870
275/70R	276	479		S		35561870
			311	D		60561870
				D	Alt.	62612000
275/80R	281	514	323	D		65612000
285/60R	293	463		S		35561870
295/55R	296	451		S		35561870
295/60R	300	467		S		37651900
295/70R	304	497		S		35561870
				S	Alt.	37651900
				D		65561870
295/75R	304	509		S		35561870
				S	Alt.	37651900
295/80R	306	526		S		37651900
			344	D		70651900
305/60R	312	472		S		35561870
305/70R	313	505		S		40612000
			317	D		65612000
315/45R	307	431		S		35561870
315/60R	312	479		S		40612000
315/70R	312	511		S		40612000
			348	D		65612000
315/75R	315	527		S		37652260
315/80R	315	543		S		37652260
			355	D		70652260
				S	Alt.	37651900
			355	D	Alt.	70651900

TIRE SIZE	TIRE WIDTH mm	TIRE RADIUS mm	CENTRE DISTANCE mm	TIRE FITMENT	ALT. SUGGESTED MUDGUARD	FULL MUDGUARD 1/1
<b>22,5" HEAVY WEIGHT</b>						<b>ARTICLE NUMBER</b>
345/75	348	550		S		37652260
350/75	355	544		S		42652260
355/50	368	465		S		42652260
365/70	375	546		S		42652260
				S	Alt.	45651960
375/50	381	463		S		48561870
375/90	378	629		S		42652260
				S	Alt.	45651960
385/55	400	515		S		45612000
385/65	384	535		S		45651960
				S	Alt.	42652260
415/45	423	474		S		48561870
425/65	420	563		S		47652260
				S	Alt.	45612000
435/45	443	467		S		48561870
445/50	451	512		S		50612000
445/65	450	579		S		50612000
445/75	453	625		S		55612000
455/40	462	471		S		55612000
455/45	462	473		S		55612000
455/55	461	521		S		55612000
495/45	504	510		S		55612000
555/60	561	625		S		65651960

# HBN MUDGUARDS

## TECHNICAL SPECIFICATIONS

For Istoflex quality add "050-" in front of the article no., or "060-" for Greenflex quality.

MUDGUARD	ANTI-SPRAY	X-LENGTH mm	Y-LENGTH mm	A-MEASURE mm	B = DISTANCE BETWEEN TOPFLEX mm	WIDTH mm	HEIGHT MUD- WING mm	SPAN mm	ARC LENGTH mm	RA- DIUS mm	WEIGHT WITH ANTI- SPRAY kg	WEIGHT WITHOUT ANTI- SPRAY kg	ABC- CODE
<b>Radius 650 mm</b>													
37652260-10AC	091-414079	300	409	630	140	300	655	1220	2000	650	6,5	5,2	B
42652260-10AC	091-414080	300	409	630	240	400	655	1220	2000	650	6,8	5,8	B
47652260-10AC	091-434781	370	479	630	240	450	655	1220	2000	650	7,7	6,2	C
52652260-10AC	091-483372	230	339	630	240	500	655	1220	2000	650	8,2	6,8	D
57652260-10AC	(091-553372)	230	339	630	300	600	655	1220	2000	650	8,3	7,2	D
62652260-10AC	(091-633372)	230	339	630	300	620	655	1220	2000	650	8,6	7,7	C
67652260-10AC	091-663372	230	339	630	300	650	655	1220	2000	650	9,9	8,1	A
70652260-10AC	091-683481	240	349	630	300	700	655	1220	2000	650	12,1	9,1	B
37651020-10AC	091-414079	300		630	140	300	750	540	1020	650	3,6	2,3	B
42651020-10AC	091-414080	300		630	240	400	750	540	1020	650	3,5	2,5	B
47651020-10AC	091-434781	370		630	240	450	750	540	1020	650	4,2	2,7	C
52651020-10AC	091-483372	230		630	240	500	750	540	1020	650	4,3	2,9	D
57651020-10AC	(091-553372)	230		630	300	600	750	540	1020	650	4,2	3,1	D
62651020-10AC	(091-633372)	230		630	300	620	750	540	1020	650	4,2	3,3	C
67651020-10AC	091-663372	230		630	300	650	750	540	1020	650	5,2	3,4	A
70651020-10AC	091-683481	240		630	300	700	750	540	1020	650	6,6	3,6	B
37650635-10AC	091-414079	300		375	140	300	530	315	635	650	3,0	1,7	B
42650635-10AC	091-414080	300		375	240	400	530	315	635	650	2,8	1,8	B
47650635-10AC	091-434781	370		375	240	450	530	315	635	650	3,4	1,9	C
52650635-10AC	091-483372	230		375	240	500	530	315	635	650	3,4	2,0	D
57650635-10AC	091-554372	330		375	300	600	530	315	635	650	3,2	2,1	D
62650635-10AC	091-634474	340		375	300	620	530	315	635	650	3,1	2,2	C
67650635-10AC	091-663372	230		375	300	650	530	315	635	650	4,1	2,3	A
70650635-10AC	091-683481	240		375	300	700	530	315	635	650	5,5	2,5	B
45651960-10AC	091-434671	360	315	480	240	450	610	1300	1960	650	6,8	5	A
55651960-10AC	091-555276	420	375	480	240	550	610	1300	1960	650	7,9	5,5	C
60651960-10AC	091-554372	330	285	480	300	600	610	1300	1960	650	7,9	6,2	C
65651960-10AC	091-634474	340	295	480	300	650	610	1300	1960	650	8,5	6,6	A
45650930-10AC	091-434671	360		480	240	450	610	580	930	650	4,3	2,5	A
55650930-10AC	091-555276	420		480	240	550	610	580	930	650	5,2	2,8	C
60650930-10AC	091-554372	330		480	300	600	610	580	930	650	4,8	3,1	C
65650930-10AC	091-634474	340		480	300	650	610	580	930	650	5,7	3,8	A
45650635-10AC	091-434671	360		375	240	450	530	315	640	650	3,6	1,8	A
55650635-10AC	091-555276	420		375	240	550	530	315	640	650	4,4	2	C
60650635-10AC	091-554372	330		375	300	600	530	315	640	650	3,9	2,2	C
65650635-10AC	091-634474	340		375	300	650	530	315	640	650	4,3	2,4	A
<b>Radius 610 mm</b>													
30612000-10	NA	NA	NA	500	140	300	655	1220	2000	610		4,1	D
40612000-10AC	091-414079	300	345	500	140	400	655	1220	2000	610	6,2	4,9	B
45612000-10AC	091-433567	250	295	500	240	450	655	1220	2000	610	6,4	5,2	A
50612000-10AC	091-483564	250	295	500	240	500	655	1220	2000	610	6,8	5,6	D
60612000-10AC	091-554372	330	375	500	300	600	655	1220	2000	610	8,2	6,5	D
62612000-10AC	091-633565	250	295	500	300	620	655	1220	2000	610	8,6	6,6	C
65612000-10AC	091-633161	210	255	500	300	650	655	1220	2000	610	8,5	6,8	B
70612000-10AC	091-685174	410	455	500	300	700	655	1220	2000	610	9,5	7,6	D
30610910-10	NA	NA		500	140	300	650	515	910	610		2,1	D
40610910-10AC	091-414079	300		500	140	400	650	515	910	610	3,8	2,5	B
45610910-10AC	091-433567	250		500	240	450	650	515	910	610	4,0	2,6	A
50610910-10AC	091-483564	250		500	240	500	650	515	910	610	4,4	2,8	D
60610910-10AC	091-554372	330		500	300	600	650	515	910	610	5,8	3,3	D
62610910-10AC	091-633565	250		500	300	620	650	515	910	610	6,2	3,3	C
65610910-10AC	091-633161	210		500	300	650	650	515	910	610	6,1	3,4	B
70610910-10AC	091-685174	410		500	300	700	650	515	910	610	7,1	3,8	D
30610630-10	NA	NA		375	140	300	510	330	630	610		1,4	D
40610630-10AC	091-414079	300		375	140	400	510	330	630	610	3,0	1,7	B
45610630-10AC	091-433567	250		375	240	450	510	330	630	610	3,0	1,8	A
50610630-10AC	091-483564	250		375	240	500	510	330	630	610	3,2	2,0	D
60610630-10AC	091-554372	330		375	300	600	510	330	630	610	4,0	2,3	D
62610630-10AC	091-633565	250		375	300	620	510	330	630	610	4,3	2,3	C
65610630-10AC	091-633161	210		375	300	650	510	330	630	610	4,1	2,4	B
70610630-10AC	091-685174	410		375	300	700	510	330	630	610	4,6	2,7	D

MUDGUARD	ANTI-SPRAY	X-LENGTH mm	Y-LENGTH mm	A-MEA-SURE mm	B = DISTANCE BETWEEN TOPFLEX mm	WIDTH mm	HEIGHT MUD- WING mm	SPAN mm	ARC LENGTH mm	RA- DIUS mm	WEIGHT WITH ANTI- SPRAY kg	WEIGHT WITHOUT ANTI- SPRAY kg	ABC- CODE
<b>Radius 560 mm</b>													
27561870-10	NA	NA	NA	575	140	270	615	1120	1870	560		3,4	C
30561870-10	NA	NA	NA	575	140	300	615	1120	1870	560		3,7	D
35561870-10	NA	NA	NA	575	140	350	615	1120	1870	560		3,9	B
48561870-10AC	091-483564	250	295	575	240	480	615	1120	1870	560	6,2	4,8	D
50561870-10AC	091-483059	200	245	575	240	500	615	1120	1870	560	6,1	5	C
53561870-10AC	091-483564	250	295	575	240	530	615	1120	1870	560	6,3	5,1	C
55561870-10AC	091-553050	200	245	575	240	550	615	1120	1870	560	6,5	5,3	B
58561870-10AC	091-553050	200	245	575	240	580	615	1120	1870	560	6,7	5,5	D
60561870-10AC	091-554372	330	375	575	300	600	615	1120	1870	560	7,3	5,6	C
62561870-10AC	091-634474	340	385	575	300	620	615	1120	1870	560	8	6,1	A
65561870-10AC	091-634474	340	385	575	300	650	615	1120	1870	560	8,4	6,5	C
27560910-10	NA	NA		500	140	270	615	540	910	560		2,2	C
30560910-10	NA	NA		500	140	300	615	540	910	560		2,4	C
35560910-10	NA	NA		500	140	350	615	540	910	560		2,5	D
48560910-10AC	091-483564	250		500	240	480	615	540	910	560	4,3	2,9	B
50560910-10AC	091-483059	200		500	240	500	615	540	910	560	4,1	3	D
53560910-10AC	091-483564	250		500	240	530	615	540	910	560	4,3	3,1	C
55560910-10AC	091-553050	200		500	240	550	615	540	910	560	4,4	3,2	C
58560910-10AC	091-553050	200		500	240	580	615	540	910	560	4,5	3,3	B
60560910-10AC	091-554372	330		500	300	600	615	540	910	560	5	3,3	B
62560910-10AC	091-634474	340		500	300	620	615	540	910	560	5,5	3,6	A
65560910-10AC	091-634474	340		500	300	650	615	540	910	560	5,7	3,8	B
27560605-10	NA	NA		350	140	270	490	330	605	560		1,4	C
30560605-10	NA	NA		350	140	300	490	330	605	560		1,4	C
35560605-10	NA	NA		350	140	350	490	330	605	560		1,5	D
48560605-10AC	091-483564	250		350	240	480	490	330	605	560	3,2	1,8	B
50560605-10AC	091-483059	200		350	240	500	490	330	605	560	2,9	1,8	D
53560605-10AC	091-483564	250		350	240	530	490	330	605	560	3,1	1,9	C
55560605-10AC	091-553050	200		350	240	550	490	330	605	560	3,1	1,9	C
58560605-10AC	091-553050	200		350	240	580	490	330	605	560	3,2	2	B
60560605-10AC	091-554372	330		350	300	600	490	330	605	560	3,7	2	B
62560605-10AC	091-634474	340		350	300	620	490	330	605	560	4,1	2,2	A
65560605-10AC	091-634474	340		350	300	650	490	330	605	560	4,2	2,3	C
<b>Radius 500 mm</b>													
27501670-10	NA	NA	NA	535	140	270	550	1000	1670	500		2,9	B
32501670-10	NA	NA	NA	535	140	320	550	1000	1670	500		3,2	B
40501670-10AC	091-414079	300	350	535	140	400	550	1000	1670	500	4,8	3,5	D
51501670-10AC	091-482348	130	180	535	240	510	550	1000	1670	500	5	4,1	B
54501670-10AC	091-553050	200	250	535	240	540	550	1000	1670	500	5,5	4,3	B
27500815-10	NA	NA		500	140	270	550	470	815	500		2	B
32500815-10	NA	NA		500	140	320	550	470	815	500		2,1	B
40500815-10AC	091-414079	300		500	140	400	550	470	815	500	3,6	2,3	D
51500815-10AC	091-482348	130		500	240	510	550	470	815	500	3,5	2,6	B
54500815-10AC	091-553050	200		500	240	540	550	470	815	500	3,9	2,7	B
27500530-10	NA	NA		275	140	270	430	285	530	500		1,6	B
32500530-10	NA	NA		275	140	320	430	285	530	500		1,7	B
40500530-10AC	091-414079	300		275	140	400	430	285	530	500	3,2	1,9	D
51500530-10AC	091-482348	130		275	240	510	430	285	530	500	3,1	2,2	B
54500530-10AC	091-553050	200		275	240	540	430	285	530	500	3,5	2,3	B
<b>Radius 400mm</b>													
20401285						200	415	800	1285	400		1	D
22401285						220	415	800	1285	400		1,1	C
24401285						240	415	800	1285	400		1,2	
26401285						260	415	800	1285	400		1,6	C
42401285						420	415	800	1285	400		1,9	C
45401285						450	415	800	1285	400		2	D

# HBN SUPPORTS AND GROWS YOUR BUSINESS

HBN-Teknik A/S provides the best possible support for your business. There are no compromises – your needs come first. We listen to you, adapt our solutions to your specific requirements, and are there for you whatever happens. For us at HBN, this means: We think transport.

If you have any inquiries to HBN, please contact us whenever you need our advice or support as follow:

## Reception

General questions  
+45 5761 1700  
hbn@hbn.dk

## Customer Center

Orders, logistics, drawings  
+45 25 97 89 98  
sales@hbn.dk

## Quality

Claims, Quality issues  
+45 53 75 33 65  
qa@hbn.dk

## What to find at [www.hbn.dk](http://www.hbn.dk)

- | Text and pictures of the major subjects
- | Extended company information
- | Detailed product information, inclusive 2D drawings and 3D-stepfiles on selected articles
- | Mudguard finder, based on tire size
- | Download of catalogues and leaflets in different languages
- | Extended contact information

Automotive Solutions in Composite

**HBN-Teknik A/S**  
**Bragesvej 16**  
**4100 Ringsted**  
**Denmark**  
**[www.hbn.dk](http://www.hbn.dk)**

08/2018



The brands of the BPW Group

