

ROBUST

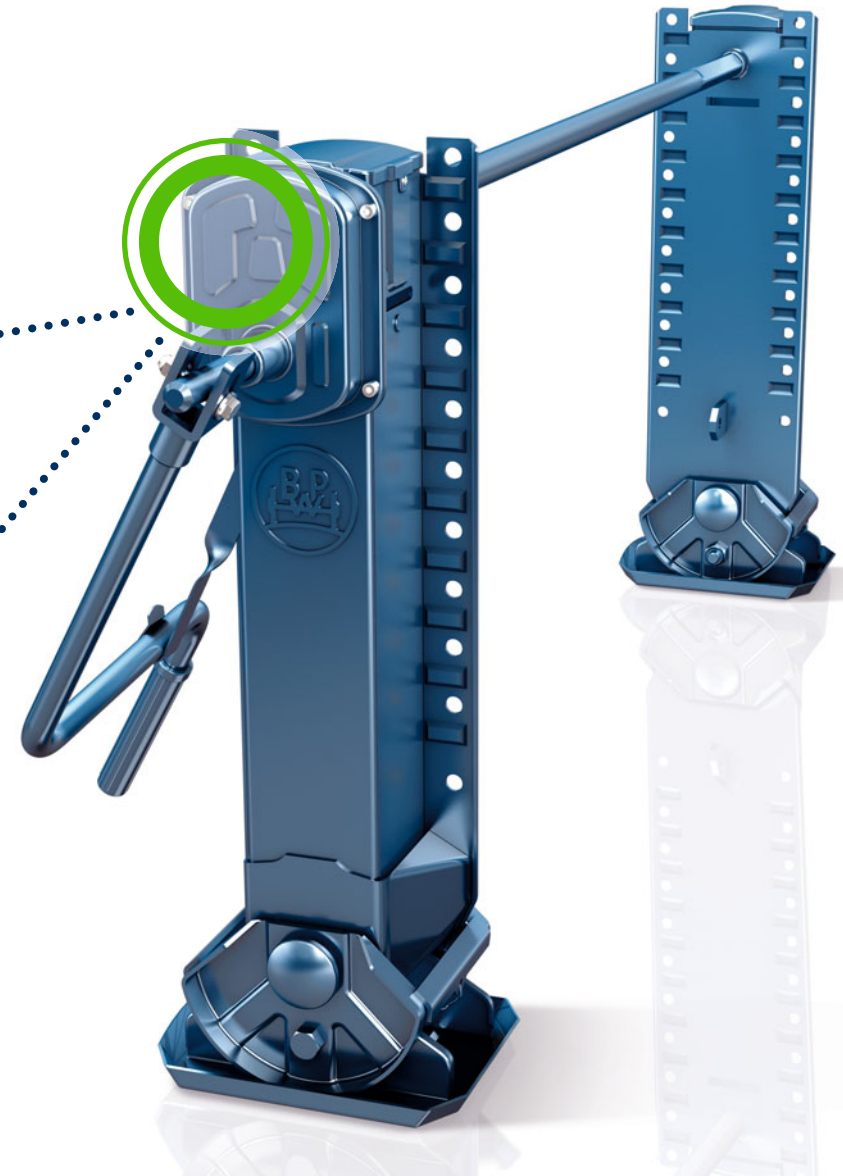
Strengthened shaft and continuous screw-on plate.

COMFORTABLE

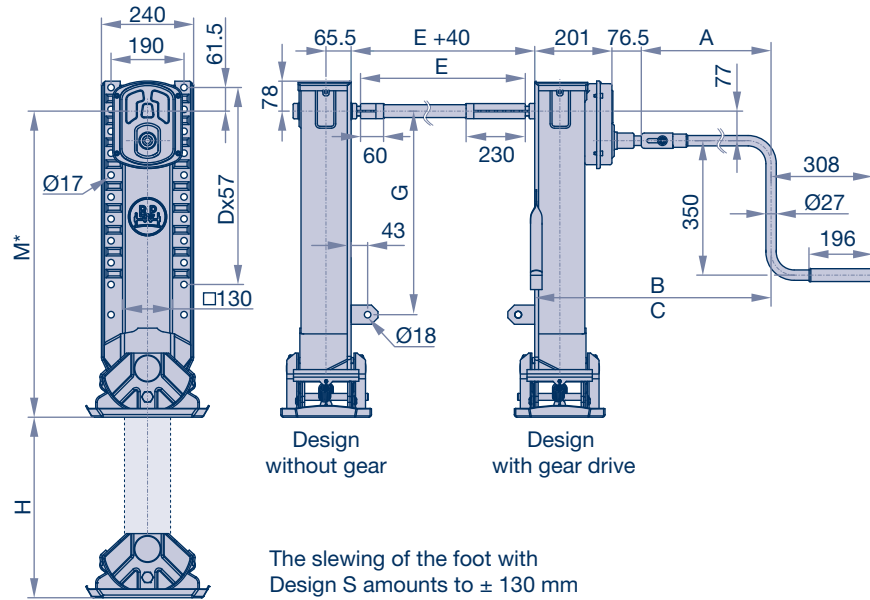
Low crank forces and easy to operate

ECONOMICAL

3 years free of maintenance and low weight for more vehicle load



WITH BPW YOU ARE IN A GOOD POSITION, IN ALL REGARDS



* Dimension M related to foot design S

| BPW landing gear | | | | | | |
|------------------|--------------|--------------|----------|--------------|------------------------------------|---------------------------------|
| Lenght M | Dimen-sion H | Dimen-sion G | Number D | Foot design | BPW Code number without gear drive | BPW Code number with gear drive |
| 650 | 350 | 380 | 6 | T | 02.3710.50.00 | 02.3710.51.00 |
| | | | | S | 02.3710.52.00 | 02.3710.53.00 |
| | | | | without foot | 02.3710.18.00 | 02.3710.19.00 |
| 700 | 400 | 430 | 7 | T | 02.3710.60.00 | 02.3710.61.00 |
| | | | | S | 02.3710.62.00 | 02.3710.63.00 |
| | | | | without foot | 02.3710.16.00 | 02.3710.17.00 |
| 750 | 420 | 480 | 8 | T | 02.3710.20.00 | 02.3710.21.00 |
| | | | | S | 02.3710.22.00 | 02.3710.23.00 |
| | | | | without foot | 02.3710.10.00 | 02.3710.11.00 |
| 800 | 470 | 530 | 9 | T | 02.3710.30.00 | 02.3710.31.00 |
| | | | | S | 02.3710.32.00 | 02.3710.33.00 |
| | | | | without foot | 02.3710.12.00 | 02.3710.13.00 |
| 850 | 520 | 580 | 9 | T | 02.3710.40.00 | 02.3710.41.00 |
| | | | | S | 02.3710.42.00 | 02.3710.43.00 |
| | | | | without foot | 02.3710.14.00 | 02.3710.15.00 |

YOUR ADVANTAGES AT A GLANCE:

ROBUST

Just the right thing for use in heavy jobs with a trailer – thanks to long, continuous screw-on plate against lateral forces as well as reinforced band on the shaft. All of this with built-in safety as well: 100 % of BPW landing gears are checked in an endurance test before dispatch.

COMFORTABLE

Long, continuous perforated screw-on plate for different fixing positions make installation flexible and simple. And the low crank forces ensure less tiredness while carrying out daily work.

ECONOMICAL

Advantages which pay off: The BPW landing gear is one of the lightest on the market – and thus the first choice, if every kilo of vehicle load capacity counts. Long-term greasing with BPW ECO-Li 91 means the BPW landing gear does not need maintenance for 3 years. In addition, it impresses with the lowest level of wear and is optimally protected from corrosion through special coatings.

Crank handle

| Dim. A | Dim. B (low gear) | Dim. C (high gear) | BPW Code number |
|--------|-------------------|--------------------|-----------------|
| 450 | 715 | 740 | 02.1404.31.00 |

Connecting shaft

| Dim. E | BPW Code number |
|--------|-----------------|
| 1500 | 02.4307.10.00 |

Support feet (without support jack)

| Design S | Design T | Design A |
|-----------------------------------|-----------------------------------|-----------------------------------|
| | | |
| BPW Code number: 02.3710.01.00 | BPW Code number: 02.3710.00.00 | BPW Code number: 02.3710.03.00 |