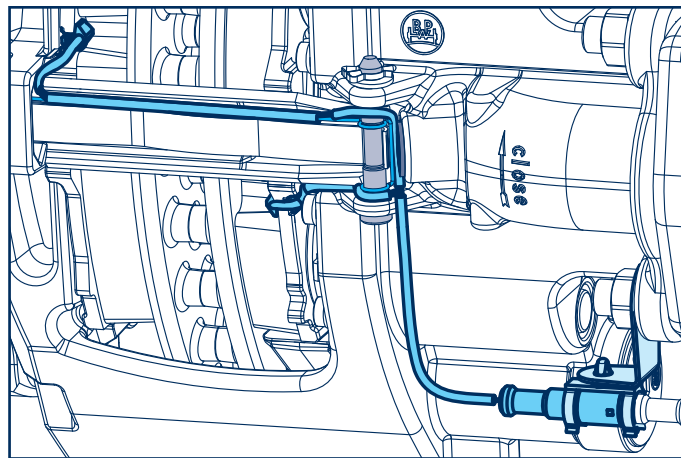
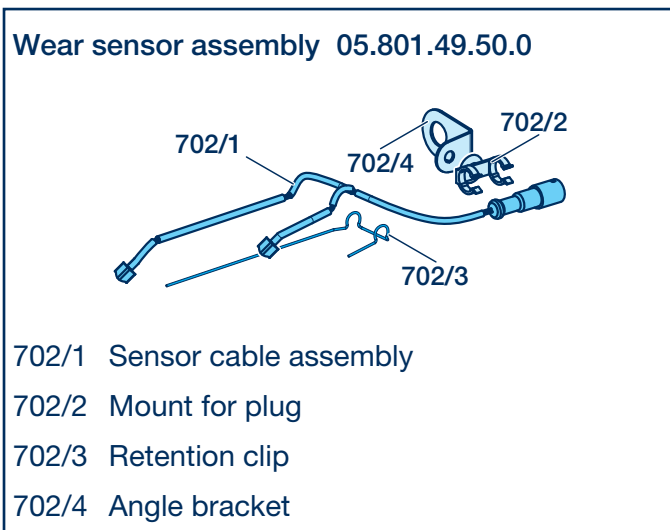


New brake pad wear sensors for all ECO Disc BPW trailer brakes

As of November 2012 BPW will introduce new brake pad wear sensors for the BPW disc brake versions TSB 3709, TSB 4309 and TSB 4312. These brake pad wear sensors are designed for offsets of ET 0 and ET 120 in combination with 19.5" and 22.5" wheels.



The new wear sensor assembly with code number 05.801.49.50.0 is downwards compatible and can be retro-fitted at any time; it supersedes the previous sensor assembly with code number 05.801.50.49.0.



Your contact partner at BPW is always available for questions.