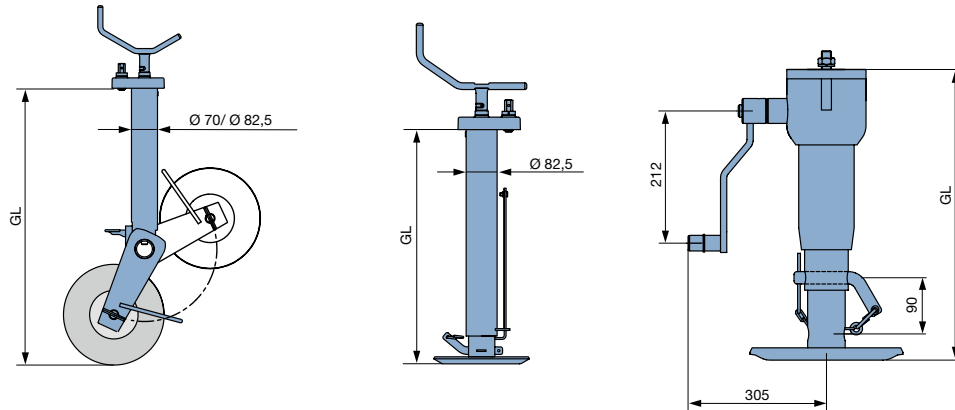


# BPW jockey wheels and outriggers.

BPW jockey wheels and outriggers are available in either square or round tubular designs. There is a choice of spur or bevel gears for the crank handle mechanism, with the required gearing. Appropriate wheel sizes are available, depending on the load to be supported. Mounting brackets for attachment to the vehicle are also available as optional extras.



| Basic length GL + spindle stroke + Quick adjustment (mm) | Wheel size (mm) | Maximum load (kg) | Drive    | Code number    |
|--|-----------------|-------------------|----------|----------------|
| <b>Steel jockey wheels</b>                               |                 |                   |          |                |
| 500 + 290  | 260 x 85        | 150               | Standard | 10.10.210121   |
| 890 + 300  | 280 x 70        | 700               | Standard | 10.10.210008   |
| 1,080 + 300  | 400 x 80        | 700               | Bracket  | 10.10.210103   |
| 910 + 300  | 280 x 70        | 1,500             | Standard | 10.10.210003   |
| 910 + 300  | 320 x 80        | 1,500             | Standard | 05.375.80.01.0 |
| 1,110 + 300  | 320 x 80        | 1,500             | Standard | 10.10.210030   |
| 1,090 + 300  | 320 x 80        | 1,500             | Front    | 05.375.80.10.0 |
| 1,080 + 300  | 320 x 80        | 1,500             | Front    | 10.10.210192   |
| 1,005 + 300  | 320 x 80        | 1,500             | Bracket  | 10.10.210002   |
| 1,090 + 280  | 320 x 100       | 2,000             | Standard | 10.10.210017   |
| 910 + 300  | 320 x 100       | 2,000             | Standard | 05.375.80.04.0 |
| 1,160 + 300  | 400 x 100       | 2,000             | Standard | 10.10.210109   |
| 1,081 + 300  | 320 x 100       | 2,000             | Front    | 10.10.210014   |
| 1,090 + 300  | 320 x 100       | 2,000             | Front    | 05.375.80.23.0 |
| 1,210 + 300  | 320 x 100       | 2,000             | Angle    | 10.10.210016   |
| <b>Outrigger, lightweight version</b>                    |                 |                   |          |                |
| 716 + 490  | -               | 1,000             | Standard | 05.375.81.35.0 |
| 660 + 350 + 310  | -               | 1,200             | Standard | 05.375.81.31.0 |
| 660 + 350 + 310  | -               | 1,200             | Standard | 05.375.81.40.0 |
| 700 + 450  | -               | 1,200             | Standard | 10.10.210029   |
| 1,000 + 500  | -               | 1,500             | Standard | 05.375.81.59.0 |
| 650 + 350  | -               | 2,000             | Bracket  | 05.375.81.57.0 |
| 720 + 400 + 350  | -               | 2,000             | Standard | 05.375.81.58.0 |
| 570 + 300 + 200  | -               | 2,000             | Standard | 10.10.210195   |
| <b>Outrigger, heavyweight version</b>                    |                 |                   |          |                |
| 370 + 180 + 90   | -               | 3,000             | Bracket  | 05.375.81.08.0 |
| 370 + 180 + 90   | -               | 3,000             | Bracket  | 10.10.210155   |
| 370 + 180 + 90   | -               | 5,000             | Bracket  | 05.375.81.10.0 |



More Information

▶ [www.bpw.de/en/drawbar\\_assy](http://www.bpw.de/en/drawbar_assy)