

Data-collection form (Material order form)

**BPW ECO Disc Service campaign,
Production series TS2 3709 / 4309**



Please fax or email this form completely and well legible to your country representation in charge.


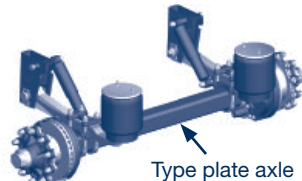

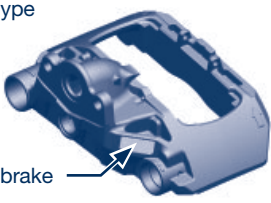
Attention: A workshop appointment for a functional test can only take place if the required spare parts have been supplied by the BPW organisation beforehand!

Address of vehicle owner

Name: _____
Street: _____
Country code / City: _____
Country: _____
Telephone: _____
E-Mail: _____

Vehicle data

Trailer builder: _____
Initial registration of the vehicle: _____
Mileage: _____
Chassis number: _____
Vehicle registration number: _____

<p style="text-align: right;">Production no. of the axle</p>  <p>Example: 19 49 5 4825 Year Week Day Sequential production number</p>  <p style="text-align: center;">Type plate axle</p>	<table border="1" style="width: 100%; border-collapse: collapse;"> <thead> <tr> <th colspan="2" style="background-color: #d3d3d3;">Production number of the axle</th> <th colspan="3"></th> </tr> </thead> <tbody> <tr> <td style="width: 10%;">Axle 1</td> <td style="width: 15%;"></td> <td colspan="3"></td> </tr> <tr> <td>Axle 2</td> <td></td> <td colspan="3"></td> </tr> <tr> <td>Axle 3</td> <td></td> <td colspan="3"></td> </tr> <tr> <td>Axle 4</td> <td></td> <td colspan="3"></td> </tr> <tr> <td>Axle 5</td> <td></td> <td colspan="3"></td> </tr> </tbody> </table> <div style="text-align: right; margin-top: 10px;"> <table border="1" style="border: 1px solid black; padding: 5px;"> <tr> <td style="text-align: center;">Axle numbering in direction of travel</td> </tr> <tr> <td style="text-align: center;">← ← ←</td> </tr> <tr> <td style="text-align: center;">① ② ③</td> </tr> </table> </div>	Production number of the axle					Axle 1					Axle 2					Axle 3					Axle 4					Axle 5					Axle numbering in direction of travel	← ← ←	① ② ③																																																																																										
Production number of the axle																																																																																																																												
Axle 1																																																																																																																												
Axle 2																																																																																																																												
Axle 3																																																																																																																												
Axle 4																																																																																																																												
Axle 5																																																																																																																												
Axle numbering in direction of travel																																																																																																																												
← ← ←																																																																																																																												
① ② ③																																																																																																																												
<p style="text-align: center;">BPW item number brake caliper</p>  <p>Production no. of the brake</p> <p>BPW brake type</p>  <p style="text-align: center;">Type plate brake</p>	<table border="1" style="width: 100%; border-collapse: collapse;"> <thead> <tr> <th colspan="2" style="background-color: #d3d3d3;">Production number of the brake</th> <th colspan="3">Left</th> <th colspan="3">Right</th> </tr> </thead> <tbody> <tr> <td rowspan="2" style="writing-mode: vertical-rl; transform: rotate(180deg);">Axle 1</td> <td style="text-align: center;">OLD</td> <td colspan="3"></td> <td colspan="3"></td> </tr> <tr> <td>Corrosion grade</td> <td><input type="checkbox"/> 1</td> <td><input type="checkbox"/> 2</td> <td><input type="checkbox"/> 3</td> <td><input type="checkbox"/> 1</td> <td><input type="checkbox"/> 2</td> <td><input type="checkbox"/> 3</td> </tr> <tr> <td colspan="2" style="text-align: center;">NEW</td> <td colspan="3"></td> <td colspan="3"></td> </tr> <tr> <td rowspan="2" style="writing-mode: vertical-rl; transform: rotate(180deg);">Axle 2</td> <td style="text-align: center;">OLD</td> <td colspan="3"></td> <td colspan="3"></td> </tr> <tr> <td>Corrosion grade</td> <td><input type="checkbox"/> 1</td> <td><input type="checkbox"/> 2</td> <td><input type="checkbox"/> 3</td> <td><input type="checkbox"/> 1</td> <td><input type="checkbox"/> 2</td> <td><input type="checkbox"/> 3</td> </tr> <tr> <td colspan="2" style="text-align: center;">NEW</td> <td colspan="3"></td> <td colspan="3"></td> </tr> <tr> <td rowspan="2" style="writing-mode: vertical-rl; transform: rotate(180deg);">Axle 3</td> <td style="text-align: center;">OLD</td> <td colspan="3"></td> <td colspan="3"></td> </tr> <tr> <td>Corrosion grade</td> <td><input type="checkbox"/> 1</td> <td><input type="checkbox"/> 2</td> <td><input type="checkbox"/> 3</td> <td><input type="checkbox"/> 1</td> <td><input type="checkbox"/> 2</td> <td><input type="checkbox"/> 3</td> </tr> <tr> <td colspan="2" style="text-align: center;">NEW</td> <td colspan="3"></td> <td colspan="3"></td> </tr> <tr> <td rowspan="2" style="writing-mode: vertical-rl; transform: rotate(180deg);">Axle 4</td> <td style="text-align: center;">OLD</td> <td colspan="3"></td> <td colspan="3"></td> </tr> <tr> <td>Corrosion grade</td> <td><input type="checkbox"/> 1</td> <td><input type="checkbox"/> 2</td> <td><input type="checkbox"/> 3</td> <td><input type="checkbox"/> 1</td> <td><input type="checkbox"/> 2</td> <td><input type="checkbox"/> 3</td> </tr> <tr> <td colspan="2" style="text-align: center;">NEW</td> <td colspan="3"></td> <td colspan="3"></td> </tr> <tr> <td rowspan="2" style="writing-mode: vertical-rl; transform: rotate(180deg);">Axle 5</td> <td style="text-align: center;">OLD</td> <td colspan="3"></td> <td colspan="3"></td> </tr> <tr> <td>Corrosion grade</td> <td><input type="checkbox"/> 1</td> <td><input type="checkbox"/> 2</td> <td><input type="checkbox"/> 3</td> <td><input type="checkbox"/> 1</td> <td><input type="checkbox"/> 2</td> <td><input type="checkbox"/> 3</td> </tr> <tr> <td colspan="2" style="text-align: center;">NEW</td> <td colspan="3"></td> <td colspan="3"></td> </tr> </tbody> </table>	Production number of the brake		Left			Right			Axle 1	OLD							Corrosion grade	<input type="checkbox"/> 1	<input type="checkbox"/> 2	<input type="checkbox"/> 3	<input type="checkbox"/> 1	<input type="checkbox"/> 2	<input type="checkbox"/> 3	NEW								Axle 2	OLD							Corrosion grade	<input type="checkbox"/> 1	<input type="checkbox"/> 2	<input type="checkbox"/> 3	<input type="checkbox"/> 1	<input type="checkbox"/> 2	<input type="checkbox"/> 3	NEW								Axle 3	OLD							Corrosion grade	<input type="checkbox"/> 1	<input type="checkbox"/> 2	<input type="checkbox"/> 3	<input type="checkbox"/> 1	<input type="checkbox"/> 2	<input type="checkbox"/> 3	NEW								Axle 4	OLD							Corrosion grade	<input type="checkbox"/> 1	<input type="checkbox"/> 2	<input type="checkbox"/> 3	<input type="checkbox"/> 1	<input type="checkbox"/> 2	<input type="checkbox"/> 3	NEW								Axle 5	OLD							Corrosion grade	<input type="checkbox"/> 1	<input type="checkbox"/> 2	<input type="checkbox"/> 3	<input type="checkbox"/> 1	<input type="checkbox"/> 2	<input type="checkbox"/> 3	NEW							
Production number of the brake		Left			Right																																																																																																																							
Axle 1	OLD																																																																																																																											
	Corrosion grade	<input type="checkbox"/> 1	<input type="checkbox"/> 2	<input type="checkbox"/> 3	<input type="checkbox"/> 1	<input type="checkbox"/> 2	<input type="checkbox"/> 3																																																																																																																					
NEW																																																																																																																												
Axle 2	OLD																																																																																																																											
	Corrosion grade	<input type="checkbox"/> 1	<input type="checkbox"/> 2	<input type="checkbox"/> 3	<input type="checkbox"/> 1	<input type="checkbox"/> 2	<input type="checkbox"/> 3																																																																																																																					
NEW																																																																																																																												
Axle 3	OLD																																																																																																																											
	Corrosion grade	<input type="checkbox"/> 1	<input type="checkbox"/> 2	<input type="checkbox"/> 3	<input type="checkbox"/> 1	<input type="checkbox"/> 2	<input type="checkbox"/> 3																																																																																																																					
NEW																																																																																																																												
Axle 4	OLD																																																																																																																											
	Corrosion grade	<input type="checkbox"/> 1	<input type="checkbox"/> 2	<input type="checkbox"/> 3	<input type="checkbox"/> 1	<input type="checkbox"/> 2	<input type="checkbox"/> 3																																																																																																																					
NEW																																																																																																																												
Axle 5	OLD																																																																																																																											
	Corrosion grade	<input type="checkbox"/> 1	<input type="checkbox"/> 2	<input type="checkbox"/> 3	<input type="checkbox"/> 1	<input type="checkbox"/> 2	<input type="checkbox"/> 3																																																																																																																					
NEW																																																																																																																												

Attention: Only the brake calipers affected according to the service instructions have to be changed!

<p>Corrosion grade</p> <p>(please note the corresponding degree of corrosion of the resetting area in the table when entering the brake production number, see point 7 in the service instructions)</p>	<input type="checkbox"/> 1	 <p style="text-align: center;">no corrosion</p>	<input type="checkbox"/> 2	 <p style="text-align: center;">incipient corrosion</p>	<input type="checkbox"/> 3	 <p style="text-align: center;">advanced corrosion</p>
--	----------------------------	---	----------------------------	---	----------------------------	---

<p>Notification number:</p> <p>.....</p> <p>Please implicitly indicate on invoices and disassembled components.</p>	<p><input type="checkbox"/> Vehicle checked and modified in accordance with BPW service instructions</p> <p>Date: _____</p> <div style="border: 1px solid black; height: 40px; width: 100%; margin-top: 10px;"></div> <p style="text-align: right;">Stamp and signature of the workshop</p>
--	---