

Product overview Telematics

ALSO IN BPW
RUNNING GEAR
CONFIGURATOR

OPTIONAL ACCESSORIES

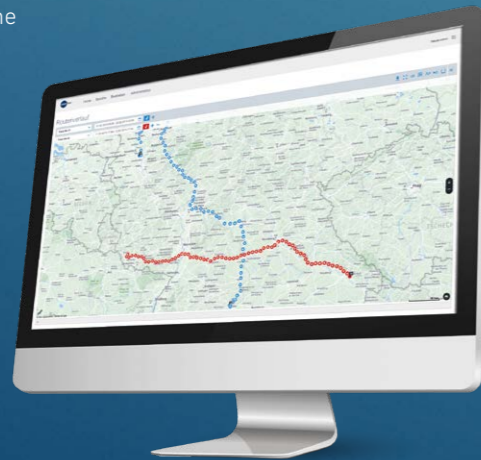
Name	BPW material
Telematic-Kit AirSave	02.1819.01.10
Extension cable for AirSave basic kit	92.0000.0024
Superseal-Kit for AirSave	92.0000.1685
Grommet for superseal kit	92.0000.1687

Telematics Connection in the Telematics Portal and the DriverApp

In order to offer even more comfort and safety for driver, freight and vehicle, the connection of AirSave to telematics will be possible.

The signal triggered by AirSave in the event of a flat tyre is transmitted in parallel to the external lamp and the telematics system. The driver or fleet management receives the current status of the AirSave system in real time.

This is conveniently displayed in the all-in-one platform cargofleet 3 or the DriverApp from idem telematics. Further information and personal advice on all aspects of telematics can be found at: www.idemtelematics.de



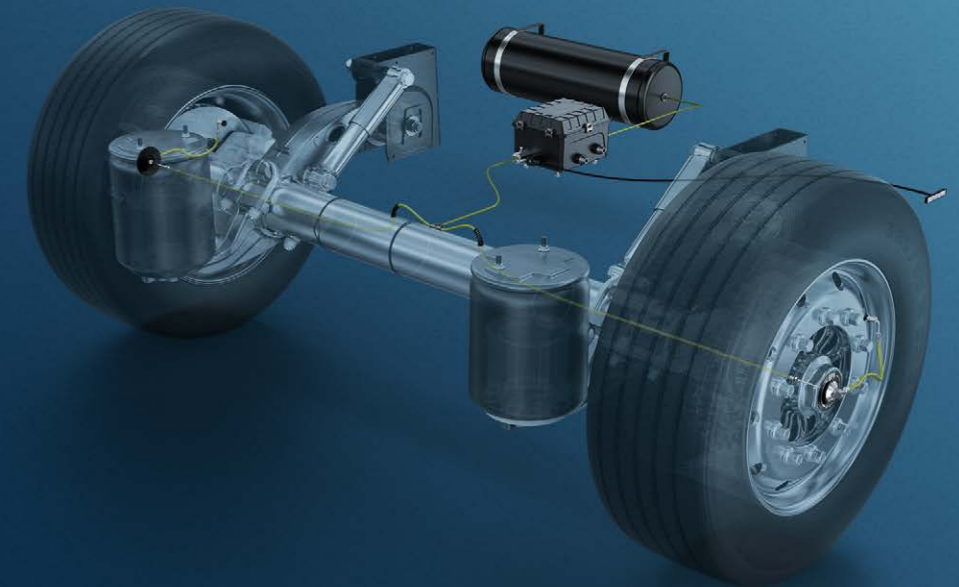
The brands of the BPW Group:



we think transport 

OPTIMAL PRESSURE FOR MAXIMUM SAVINGS.

BPW AirSave



BPW AirSave 19262101 e reaze GmbH

BPW Bergische Achsen Kommanditgesellschaft

Postbox 12 80 · 51656 Wiehl, Germany · Telephone +49 (0) 2262 78-0
info@bpw.de · www.bpw.de

Maximum cost-effectiveness and greater safety thanks to optimal tyre pressure.

BPW's AirSave allows you to continuously track and control your tyre pressure while driving.

The tyre pressure is constantly monitored and automatically adjusted to the desired level via a control box with booster. Should the pressure deviate considerably from the norm, for example in the event of tyre damage, a warning light informs the driver to this effect so that they can promptly drive to a service station instead of having to stop on the side of the motorway. This significantly reduces the risk of accidents, prevents downtimes, saves fuel by maintaining optimal pressure at all times, and reduces CO² emissions.

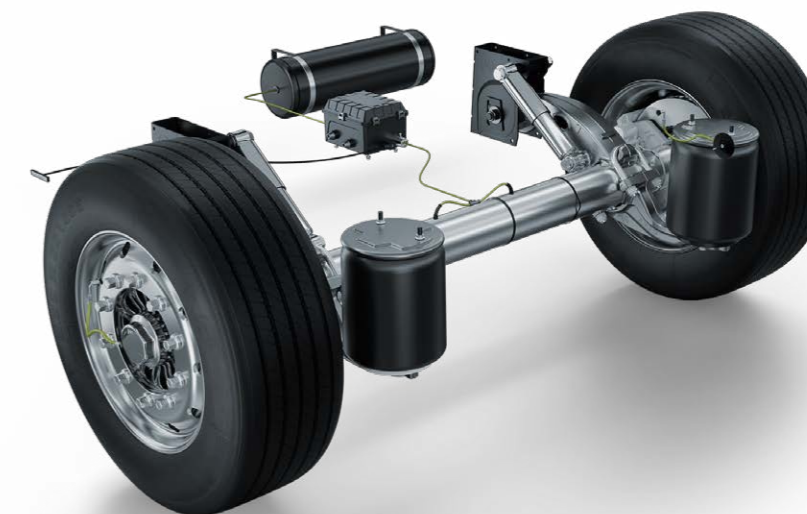
YOUR ADVANTAGES

- Reduced operating costs thanks to ideal tyre pressure at all times.
- Optimally scheduled workshop visits with continuous monitoring.
- Increased safety by avoiding tyre blowouts.
- Information for the driver in the event of pressure deviations in the system.
- Increased tyre life.
- A low-maintenance, robust product for more economic efficiency.

IN MAINTENANCE
SCOPE OF BPW
PSP INCLUDED

ON REQUEST
ALSO AVAILABLE
FOR STUB AXLES

THE BPW EFFEKT
>700€
cost benefit per year*



Product overview AirSave

AIRSAVE BASE KIT

Name	BPW material	Basis 1&2 Axle	Basis 3-Axle	Basis 4-Axle	Basis 5-Axle
AirSave Control Box (Booster)	02.0130.02.30	1	1	1	1
AirSave LED Light CMP5	02.0130.01.30	1	1	1	1
AirSave Reduction for Booster 8-6mm	02.3141.11.00	2	3	3	3
Safety plug AirSave for control box	02.3704.99.00	2	0	0	0
AirSave T-Piece Conn. f. compressed air tube	02.4319.45.00	0	1	1	2
Kit AirSave BPW		05.801.47.19.0	05.801.47.20.0	05.801.47.21.0	05.801.47.22.0

AXLE LINES KIT

(one axle line kit required per axle)

Name	BPW material	9t ET0	9t ET 120	9t twin	10-12t ET 0	10-12t twin
BPW AirSave hub cap adapter Kit 9 t	05.801.47.17.0	2	2	2	0	0
BPW AirSave hub cap adapter Kit 10-12 t	05.801.47.18.0	0	0	0	2	2
AirSave Rotor L=90 mm ET 0 & ET 120	02.0130.00.30	2	2	0	2	0
AirSave Rotor T=90 mm twin	02.0130.05.10	0	0	2	0	2
AirSave valve tube ET 0	02.3510.05.10	2	0	2	2	2
AirSave valve tube ET 120	02.3510.06.10	0	2	0	0	0
AirSave valve tube twin	02.3510.07.10	0	0	2	0	2
Kit AirSave BPW		05.801.47.23.0	05.801.47.25.0	05.801.47.24.0	05.801.47.26.0	05.801.47.27.0

* As a result of fuel and tyre savings based on a 3-axle trailer (assuming mileage of 120,000 km/year and an average pressure deviation of 10%)

Please always order your AirSave Kit in conjunction with the BPW Eco Plus 3 axles you require.