



BPW swing axles.

Simple solutions for heavy tasks.

we think transport



we think transport

The aim of the BPW Group is to provide the best possible support to our customers in the transport and logistics industry. That's why we place the utmost importance on meeting our customers' needs. This includes listening to you, ensuring that our solutions meet your individual requirements, and being there for you whatever the situation. For us at BPW this means: **we think transport**

Five brands – one robust partner.

With the merger into the BPW Group of the BPW, Ermax, HBN Teknik, Hestal and idem telematics brands, we can be a strong partner in every area.

For us, the BPW Group represents the basis for a much more precise coordination of products and services. This way, we can provide the optimal solutions that support you and your ability to compete.

BPW swing axles. The ideal balance in all conditions.

BPW offers swing axles with reliable, maintenance-friendly and space-optimised technology for heavy low-loader trailers, semi-trailers, special vehicles and modular platforms.

OUR SOLUTIONS FOR YOU:

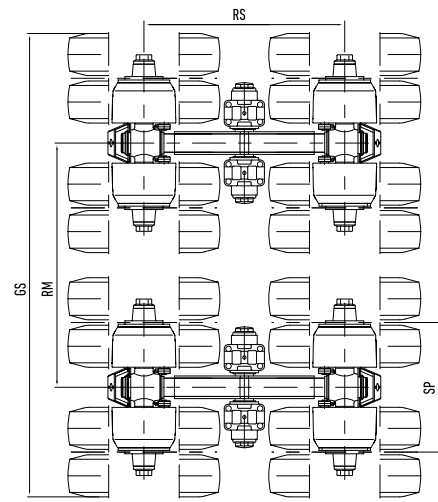
- › Axle loads of 6-60 t for wide-ranging applications
- › ECO Plus hub system for durability and maintainability (9-12t axle load)
- › On request: ABS, brake cylinder and ECO Master for maximum braking safety
- › KTL_{Zn} coating for enduring protection against corrosion

Specified axle loads are maximum values at ground level up to 105 km/h. For vehicles with a lower speed limit, the following axle load increases are permissible: $V_{max} > 40 \text{ km/h} + 10\%$, $V_{max} > 25 \text{ km/h} + 25\%$, $V_{max} > 10 \text{ km/h} + 40\%$.





BPW 14 t tandem swing axle with SN4220 brake



BPW tandem swing axles for 15" to 24" tyres.

Axle type	Axle load	Wheel connection	Brake	Track (SP)	Wheel base (RS)	Tyre centre (RM)	Total toe (GS)	Tyres
NMZ ...	2 x 12 t	10 x M22 x 1.5/Ø225/175.8	SN 3015	890	1350	1600	3025	235/75 R17,5
NMZ ...	2 x 13 t	10 x M22 x 1.5/Ø225/175.8	SN 3020	950	1350	1800	3995	315/70 R15
MZF ...	2 x 12 t	10 x M22 x 1.5/Ø335/280.8	SN 4220	960	1480	1800	3420	12.00-20
MZF ...	2 x 14 t	10 x M22 x 1.5/Ø335/280.8	SN 4220	955	1480	1800	3417	12.00-20
MZM ...	2 x 16 t	10 x M22 x 1.5/Ø335/280.8	SN 4220	960	1550	1840	3457	12.00-20
MZM ...	2 x 20 t	10 x M22 x 1.5/Ø335/280.8	SN 4220	1125	1700	2170	4097	14.00 R20

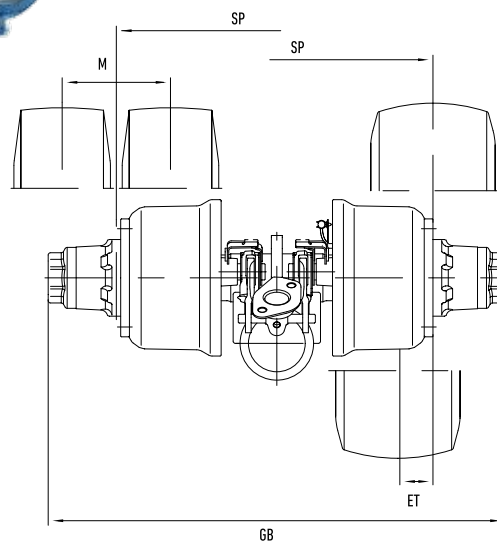
BPW heavy goods tandem swing axles for industrial applications.

Axle type	Axle load	Wheel connection	Brake	Track (SP)	Wheel base (RS)	Tyre centre (RM)	Total toe (GS)	Tyres
MZM ...	2 x 40 t at 15 km/h	10 x M24 x 1.5/Ø335/280.8	SN 4220	1120	1350	2000	3740	12.00-20 (CSE)
MZM ...	2 x 55 t at 10 km/h	24 x M22 x 1.5/Ø425/370.8	SN 5020	1200	1575	2325	4376	14.00 R24

Other versions on request, as well as swing axles without brake. Pendulum limits to be installed by vehicle manufacturers.



BPW 12 t swing axle with SN3015 brake



BPW swing axles for 15" to 24" tyres.

Axle type	Axle load	Wheel connection	Brake	Track (SP)	Over all width (GB)	Offset ET/M	Tyres
NRD ...	6 t	10 x M22 x 1.5/Ø225/Ø175,8	SN 3012	454	690	ET = 55	245/70 R17,5
NRD ...	7 t	10 x M22 x 1.5/Ø225/Ø175,8	SN 3012	518	794	ET = 66/55	285/70 R19,5
NR** ... NEW!	9 t	10 x M22 x 1.5/Ø225/Ø175,8	SN 3015	680	928	ET = 0	285/70 R19,5
NR** ... NEW!	12 t*	10 x M22 x 1.5/Ø225/Ø175,8	SN 3015	735	1047	M = 248	215/70 R17,5
NRD ...	12 t	10 x M22 x 1.5/Ø225/Ø175,8	SN 3020	910	1234	M = 290	235/75 R17,5
NMZ ...	13 t	10 x M22 x 1.5/Ø225/Ø175,8	SN 3020	800	1140	M = 280	235/75 R17,5
MSF ...	12 t	10 x M22 x 1.5/Ø335/Ø280,8	SN 4218	845	1189	ET = 0	385/65 R22,5
MZM ...	14 t	10 x M22 x 1.5/Ø335/Ø280,8	SN 4220	960	1306	M = 350	12.00 R20
MZM ...	16 t	10 x M22 x 1.5/Ø335/Ø280,8	SN 4220	960	1382	M = 360	325/95 R24
MZM ...	20 t	10 x M22 x 1.5/Ø335/Ø280,8	SN 4220	1120	1622	M = 360	325/95 R24

* technical axle load max. 9.7 t

**weight-reduced version with hollow axle beam

Axle type	Axle load	Wheel connection	Brake	Track (SP)	Over all width (GB)	Offset ET/M	Tyres
NMZ ...	18 t at 25 km/h	10 x M22 x 1.5/Ø225/Ø175.8	SN 3020	800	1140		15" pneumatic and CSE tyres
RDB ...	25 t at 5 km/h	10 x M22 x 1.5/Ø335/280.8	SN 4218	600	974	ET = 66	385/55 R22.5
MZM ...	40 t at 15 km/h	10 x M24 x 1.5/Ø335/280.8	SN 4220	1120	1581		20" pneumatic and CSE tyres
MZM ...	60 t at 5 km/h	24 x M22 x 1.5/Ø425/370.8	SN 5020	1320	1799		from 24" pneumatic tyres

The brands of the BPW Group:



ERMAX®



HBN-Teknik

HESTAL®



idem telematics



BPW Fliyer Pendelachse 1731 1601e
www.united.de

