

# Airlight Direct from BPW.

Directly more comfort for the driver and payload.

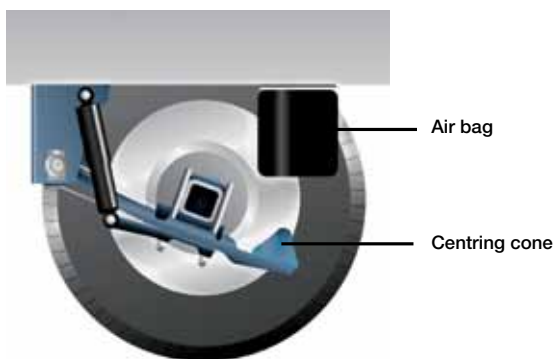


### Maximum driving comfort and optimum protection of the cargo:

In the BPW Airlight Direct air suspension system, the air bag absorbs all vertical shock loads. Advantage: Reduced acceleration of the vehicle floor. As a result, Airlight Direct raises driving comfort to a yet unparalleled level. The Airlight Direct suspension system cares for sensitive cargoes particularly effectively.

## ! BPW Airlight Direct – Features and benefits

- ▶ Greatest driving comfort
- ▶ Lighter standard running gear at 394 kg with 120 offset
- ▶ ECO Plus 2 integrated
- ▶ As standard with Combi airbag for crane loading and Ro-Ro traffic
- ▶ Air bags, shock absorbers, brakes and brake cylinders in a protected location
- ▶ Brake calliper can easily be reached for brake servicing
- ▶ Compact, module design
- ▶ With ECO Plus warranty without mileage limit\*
- ▶ For 9 t axle load and single tyres
- ▶ For disc brakes TSB 3709 (120 offset) and TSB 4309 (120 offset)
- ▶ For drum brake SN 4218 (0 offset)
- ▶ Ride heights from 260 mm to 320 mm



Combi airbag during lifting

No creases when you are on the move. With the Combi airbag from BPW. In road/rail/ship combined transport, trailers with vented air suspension systems are lifted by gantry cranes or manoeuvred by marshalling tractors. Conventional air suspension systems are at risk of damage to their air bags. The patented Combi airbag from BPW (European patent 0 554 573 B1) provides an effective safeguard against folding and creasing of the air bag and thereby guarantees a long service life.

## ! BPW Combi airbag – Features and benefits

- ▶ As a result, folding and therefore damage of the air bag is effectively prevented in combination and Ro-Ro traffic
- ▶ Long service life
- ▶ Functions without catch straps
- ▶ Standard with Airlight Direct

### More information:

▶ Technical details (page 99) ▶ ECO Plus 2 (page 21) ▶ BPW NEWS Luft 05/06 ▶ \*ECO Plus warranty (page 8)