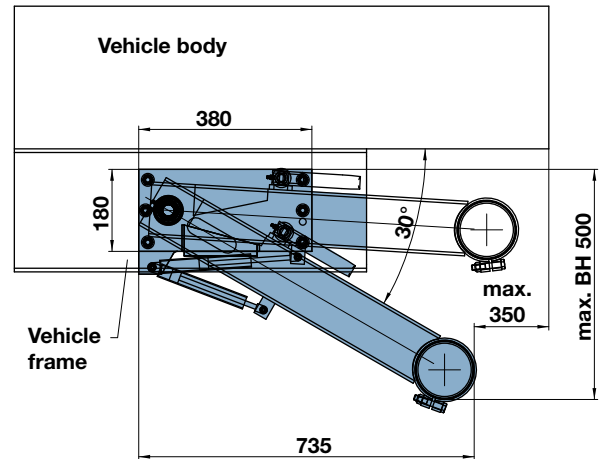
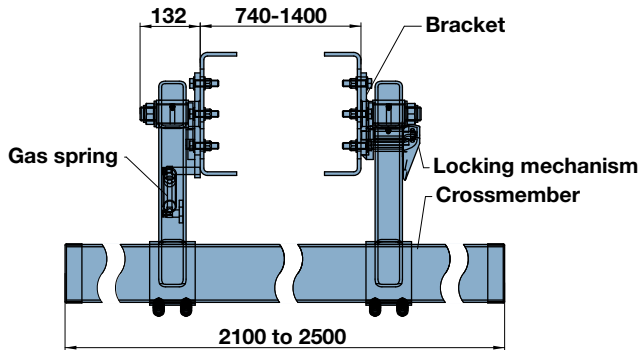


# Folding BPW underrun bar UFK 100 III

(EC approval)



The folding BPW underrun bar, type UFK 100 III, has been developed for using drawbar installations with a long recess dimension on tractive units and trailers.

The EC type approval of the underrun bar no. e4\*70/221\*2006/20\*0360\*01 is authorised for vehicle classes N3, N2 and O4. The frame width can be varied between 740 mm and 1,400 mm, depending on the type.

The permitted underbody dimension from the rear edge of the vehicle to the front edge of the folded-down underrun bar is maximum 350 mm. When the vehicle is unladen, the lower edge of the folded-down underrun bar is not allowed to be more than 550 mm above the carriageway at any point.

The width of the rear underrun bar is not allowed to exceed the width of the rear axle, measured between the outermost points

of both wheels, and is not allowed to be less than 100 mm at any point. If there are several rear axles, the widest axle is the determining factor.

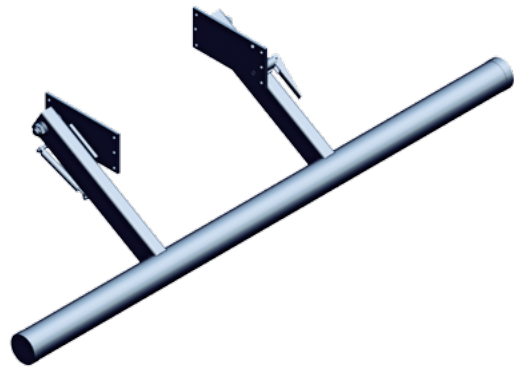
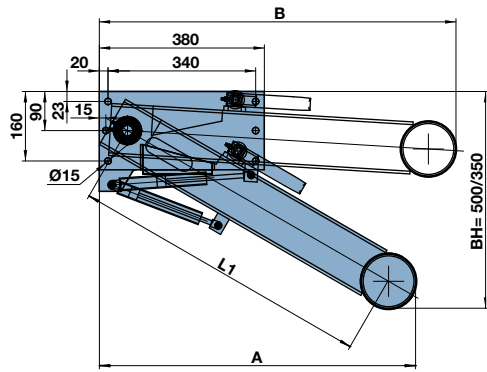
## Advantages of the new folding BPW underrun bar UFK 100 III

- Type approval according to EC directive 70/221/EEC
- Increase in permitted vehicle frame width to 1,400 mm
- Optionally available in heights 350 mm and 500 mm
- Installation and operating instructions
- Optionally with clamped, welded crossmember or without crossmember
- Parallelogram version: Locking on both sides, for approved crossmembers (not supplied)

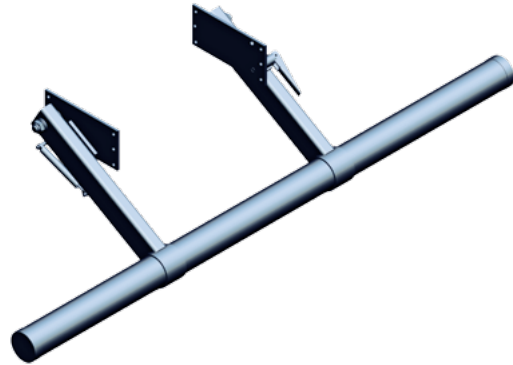
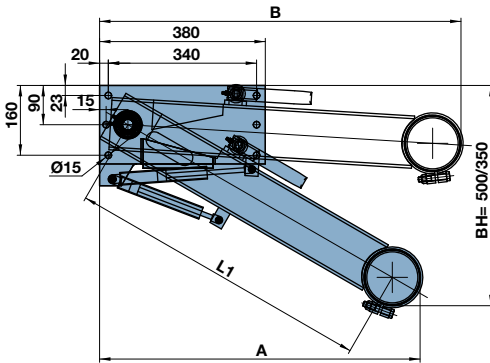
Type EC no. e4*70/221*2006/20*0360*01	Height BH (mm)	Arm length (pivot point/middle tube) L1 (mm)	Remarks	BPW no.	Weight (kg)
<b>UFK 100 III</b> Welded crossmember	350	394	Individual tube adaptation Ø 127 x 2500 mm	51.98.21.0206	70
<b>UFK 100 III</b> Welded crossmember	500	694		51.98.21.0205	80
<b>UFK 100 III</b> Clamped crossmember	350	400	Quick installation without welding work on tube Ø 127 x 2500 mm	51.98.21.0402	75
<b>UFK 100 III</b> Clamped crossmember	500	700		51.98.21.0401	85
<b>UFK 100 III</b> without crossmember	350		As for the welded version, but without tube	51.98.21.0208	30
<b>UFK 100 III</b> without crossmember	500			51.98.21.0207	40
<b>UFK 100 III</b> Parallelogram (cross- member not supplied)	470		For approved crossmembers, e.g. with integrated rear lights	51.98.21.0302	48

Spare parts for underrun bar	Number per underrun bar	BPW no.
Plastic cap for crossmember	2	02.3505.25.00
Installation parts group spring bolt	1 <sup>1)</sup>	09.801.90.34.0
Gas spring for UFK 100 III from build year 2001	1	02.0600.03.00

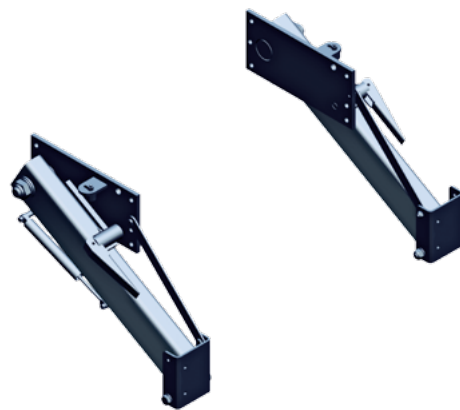
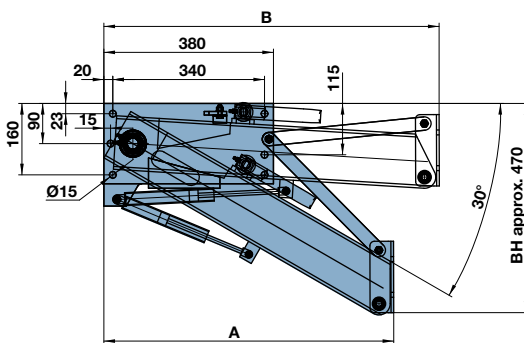
<sup>1)</sup> Parallelogram versions 2x.



UFK III Cross tube welded	Height BH (mm)	L1 (mm)	A	B	BPW no.
	350	394	730	822	51.98.21.0206
	500	694	475	522	51.98.21.0205



UFK III Cross tube clamped	Height BH (mm)	L1 (mm)	A	B	BPW no.
	350	400	735	825	51.98.21.0402
	500	700	480	525	51.98.21.0401



UFK III Parallelo- gram	Height BH (mm)	L1 (mm)	A	B	BPW no.
	470	-	750	650	51.98.21.0302

Other special versions on request.