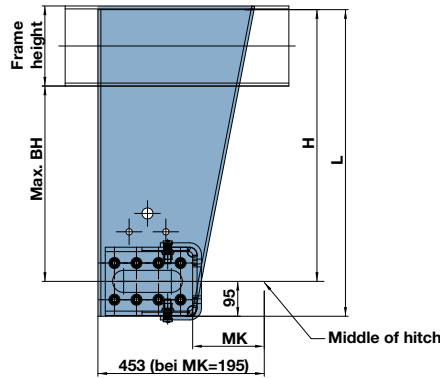
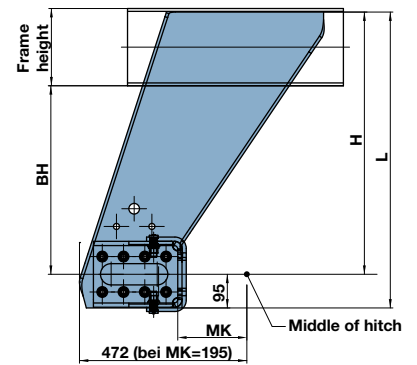


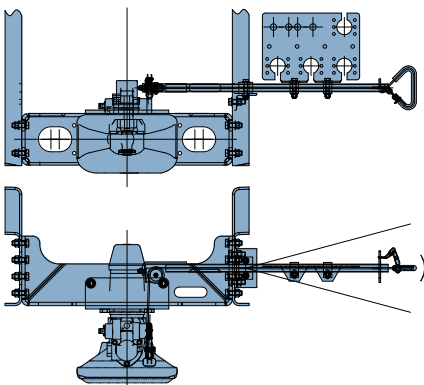
Version SV (inclined front)



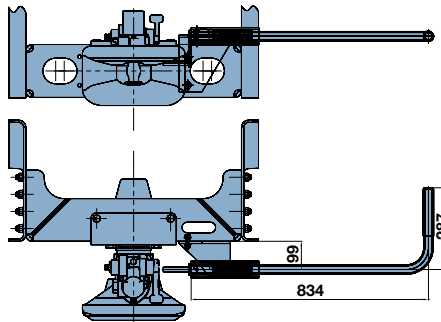
Version SH (inclined rear)



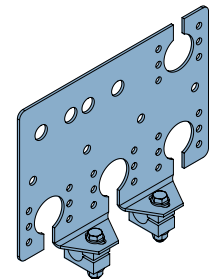
Version GK (offset)



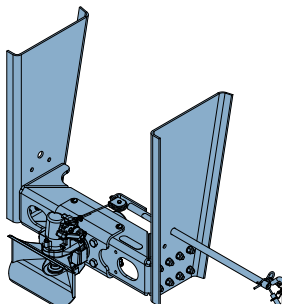
Cable remote control FB10
General certification 90779*01



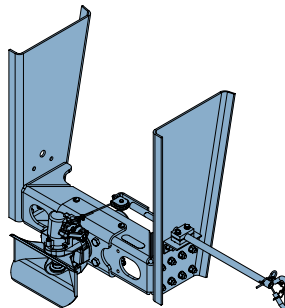
Remote control device,
mechanical



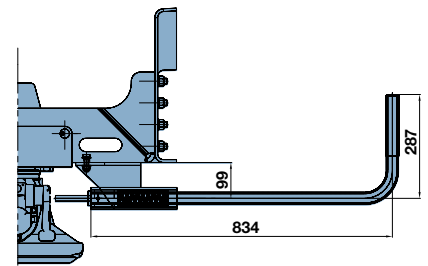
Plug holder



FB10, welded version



FB10, clamped version



Remote control device, mechanical

BPW accessories for AB 75

BPW no.

Cable remote control FB10, welded version	51.98.11.0018
Cable remote control FB10, clamped version	51.98.11.0019
Remote control device, mechanical	51.98.11.0020
Plug holding plate	05.801.95.16.0
Upper crossmember for Mercedes (in frame)	05.801.96.67.0
Adapter plates side panel/crossmember t=2 mm (2 pcs.)	09.801.95.14.0
Adapter plates side panel/crossmember t=6 mm (2 pcs.)	09.801.95.15.0
Bolt kit side panel/crossmember (16 pcs., bolts M16x50, nuts, washers)	09.801.95.12.0
Bolt kit side panel/crossmember (16 pcs., bolts M16x60, nuts, washers)	09.801.95.16.0
Bolt kit side panel/frame (24 pcs., bolts M16x50, nuts, washers)	09.801.95.13.0
Side panels for AB 75 in pairs	on request