



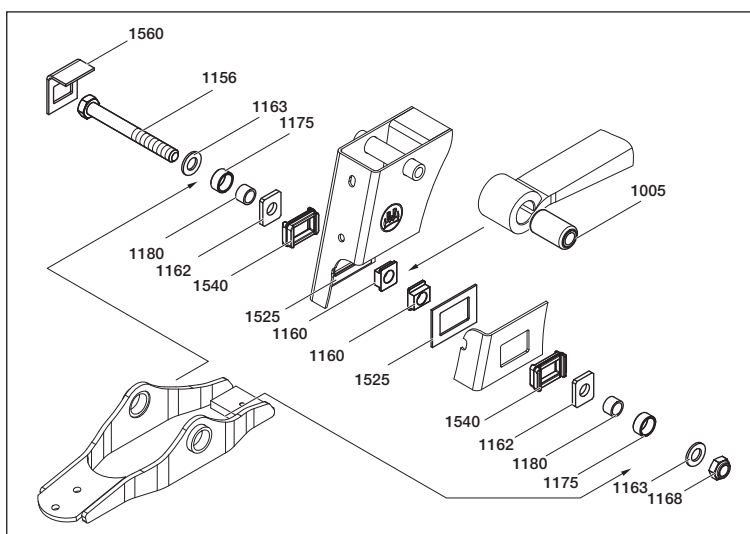
## New Repair Sets

New repair sets have been assembled to simplify spare part assignment:

09.801.07.75.0	repair set for spring bolt storage (adjustable support, lateral axle lifting device, welded wear plates)
09.801.07.76.0	repair set for spring bolt storage (adjustable support, lateral axle lifting device, unattached wear plates)
09.801.07.77.0	group of spring bolt parts (lateral axle lifting device, welded wear plates)
09.801.07.78.0	group of spring bolt parts (lateral axle lifting device, unattached wear plates)
09.801.07.79.0	repair set for spring bolt storage (adjustable support, M 24 bolt thread, 70 mm wide trailing arms, straight steel support and C-cross member, unattached wear plates)
09.801.07.80.0	repair set for spring bolt storage (adjustable support, M 30 bolt thread, 70 mm wide trailing arms, straight steel support and C-cross member, unattached wear plates)
09.801.07.81.0	repair set for spring bolt storage (adjustable aluminum support, M 24 bolt thread, 70 mm wide trailing arms, unattached wear plates)
09.801.07.82.0	repair set for spring bolt storage (adjustable aluminum support, M 30 bolt thread, 70 mm wide trailing arms, unattached wear plates)
09.801.07.83.0	repair set for spring bolt storage (adjustable aluminum support, M 30 bolt thread, 70 mm wide trailing arms, lateral axle lifting device and two-side lift, unattached wear plates)
09.801.07.84.0	repair set for spring bolt storage (adjustable aluminum support, M 24 bolt thread, 70 mm wide trailing arms, lateral axle lifting device and two-side lift, unattached wear plates)
09.801.07.74.0	brake repair set with brake shoes SN3010 T090
09.801.07.85.0	repair set for storage of NMS/NMZ 5506/5508 axle type
09.801.07.86.0	repair set for storage of NRS/NRZ 5506-1 axle type

**09.801.07.75.0**
**repair set for spring bolt storage**

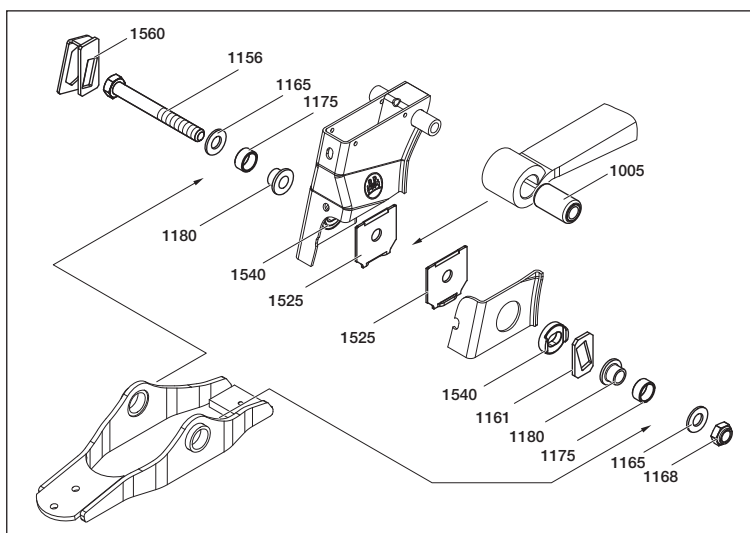
- adjustable support
- lateral axle lifting device
- welded wear plates



Pos. / Item / Rep.	Benennung / Designation / Désignation	Stück pro Satz / Quantity per Kit / Quantité par kit	BPW-Nummer / BPW-code-no. / Réf. BPW	Abmessung / Dimension / Dimension
1005	Buchse / Bush / Douille	1	02.0316.90.00	Ø 30 / 57 x 102
1156	Schraube / Screw / Vis	1	03.340.15.37.0	M 30 x 265
1160	Gleitstück / Pieza deslizante / Pièce de glissement	2	03.181.20.08.0	Ø 30 / 50 x 58 x 20
1162	Platte / Plate / Plaque	2	03.281.63.11.0	Ø 31 / 72 x 10
1163	Scheibe / Washer / Rondelle	2	03.320.32.38.0	Ø 31 / 57 x 5
1168	Sicherungsmutter / Lock nut / Écrou de sûreté	1	03.260.15.01.0	M 30
1175	Buchse / Bush / Douille	2	03.113.94.10.0	Ø 41 / 50 x 23
1180	Ring / Ring / Anneau	2	03.310.30.49.0	
1525	Platte / Plate / Plaque	2	03.281.25.04.0	140 x 101 x 4,5
1525	Platte / Plate / Plaque	2	03.281.25.06.0	130 x 101 x 4,5
1540	Formteil / Shaped plate / Tôle de raccordement	2	03.001.14.86.0	92 x 62 x 29
1560	Verdrehsicherung / Anti-rotation device / Sécurité de torsion	1	03.161.35.07.0	

**09.801.07.76.0**
**repair set for spring bolt storage**

- adjustable support
- lateral axle lifting device
- unattached wear plates



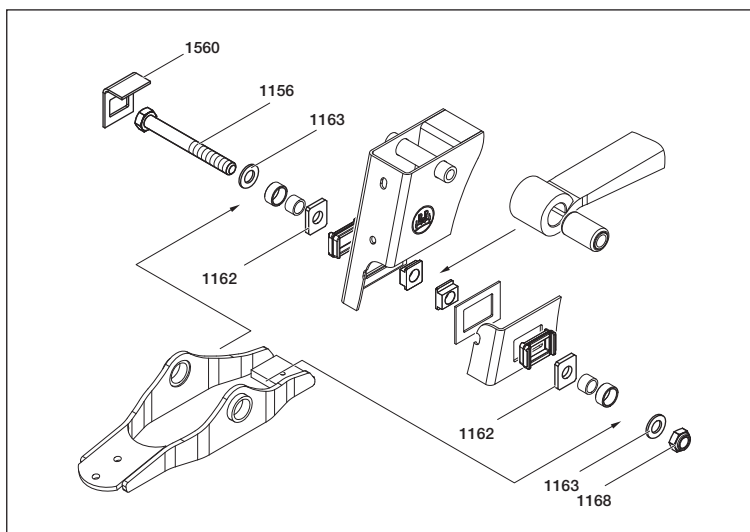
Pos. / Item / Rep.	Benennung / Designation / Désignation	Stück pro Satz / Quantity per Kit / Quantité par kit	BPW-Nummer / BPW-code-no. / Réf. BPW	Abmessung / Dimension / Dimension
1005	Buchse / Bush / Douille	1	02.0316.90.00	Ø 30 / 57 x 102
1156	Schraube / Screw / Vis	1	03.340.15.37.0	M 30 x 265
1161	Platte / Plate / Plaque	1	03.281.54.18.0	104 x 57,5 x 8
1163	Scheibe / Washer / Rondelle	2	03.320.34.51.0	Ø 31 / 62 x 5
1168	Sicherungsmutter / Lock nut / Écrou de sûreté	1	03.260.15.01.0	M 30
1175	Buchse / Bush / Douille	2	03.113.94.10.0	Ø 41 / 50 x 23
1180	Buchse / Bush / Douille	2	03.113.01.47.0	Ø 30 / 40 / 62 x 31
1525	Platte / Plate / Plaque	2	03.164.35.01.0	
1540	Buchse / Bush / Douille	2	03.113.23.01.0	Ø 30,3 / 42,6 / 74 x 23
1560	Verdrehsicherung / Anti-rotation device / Sécurité de torsion	1	05.001.32.02.0	



### 09.801.07.77.0

#### group of spring bolt parts

- lateral axle lifting device
- welded wear plates

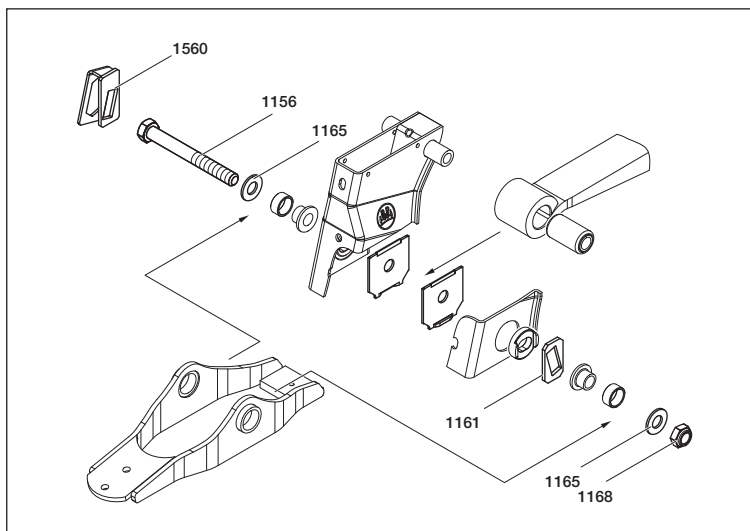


Pos. / Item / Rep.	Benennung / Designation / Désignation	Stück pro Satz / Quantity per Kit / Quantité par kit	BPW-Nummer / BPW-code-no. / Réf. BPW	Abmessung / Dimension / Dimension
1156	Schraube / Screw / Vis	1	03.340.15.37.0	M 30 x 265
1162	Platte / Plate / Plaque	2	03.281.63.11.0	Ø 31 / 72 x 10
1163	Scheibe / Washer / Rondelle	2	03.320.32.38.0	Ø 31 / 57 x 5
1168	Sicherungsmutter / Lock nut / Écrou de sûreté	1	03.260.15.01.0	M 30
1560	Verdrehsicherung / Anti-rotation device / Sécurité de torsion	1	03.161.35.07.0	

### 09.801.07.78.0

#### group of spring bolt parts

- lateral axle lifting device
- unattached wear plates



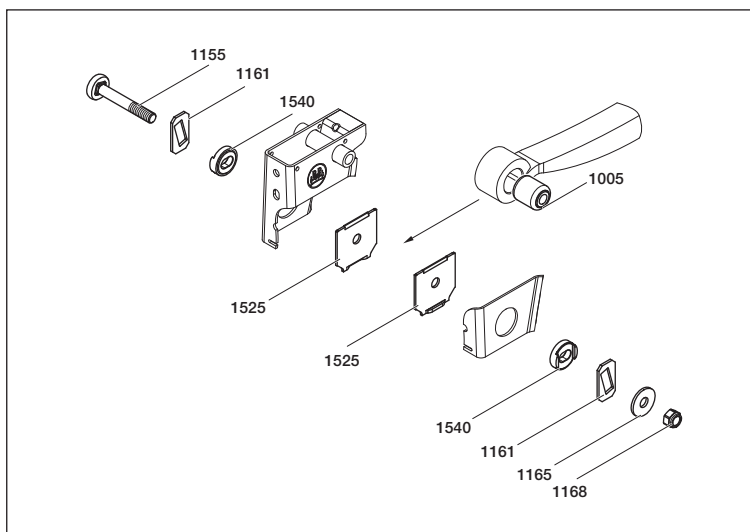
Pos. / Item / Rep.	Benennung / Designation / Désignation	Stück pro Satz / Quantity per Kit / Quantité par kit	BPW-Nummer / BPW-code-no. / Réf. BPW	Abmessung / Dimension / Dimension
1156	Schraube / Screw / Vis	1	03.340.15.37.0	M 30 x 265
1161	Platte / Plate / Plaque	1	03.281.54.18.0	104 x 57,5 x 8
1165	Scheibe / Washer / Rondelle	2	03.320.34.51.0	Ø 31 / 62 x 5
1168	Sicherungsmutter / Lock nut / Écrou de sûreté	1	03.260.15.01.0	M 30 / SW 46
1560	Verdrehsicherung / Anti-rotation device / Sécurité de torsion	1	05.001.32.02.0	



### 09.801.07.79.0

#### repair set for spring bolt storage

- adjustable support
- M 24 bolt thread
- 70 mm wide trailing arms
- straight steel support and C-cross member
- unattached wear plates

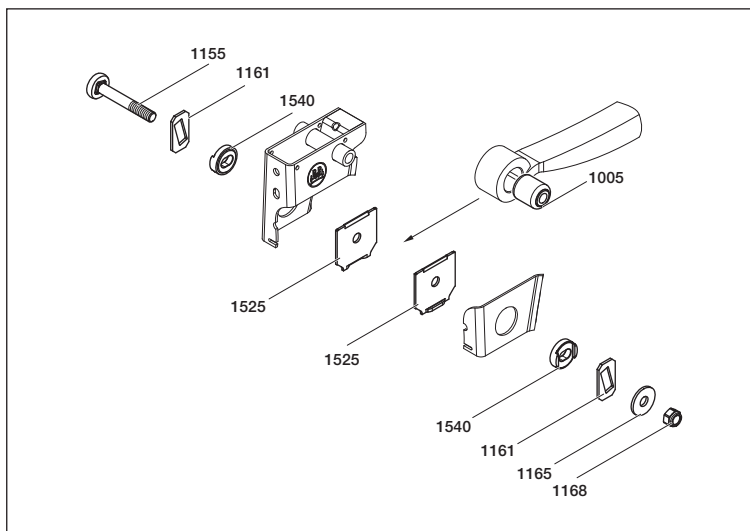


Pos. / Item / Rep.	Benennung / Designation / Désignation	Stück pro Satz / Quantity per Kit / Quantité par kit	BPW-Nummer / BPW-code-no. / Réf. BPW	Abmessung / Dimension / Dimension
1005	Buchse / Bush / Douille	1	02.0314.24.00	Ø 24,2 / 60 x 72
1155	Schraube / Screw / Vis	1	03.340.14.20.0	M 24 x 166 / SW 36
1161	Platte / Plate / Plaque	2	03.281.44.25.0	98 x 51,5 x 6
1165	Scheibe / Washer / Rondelle	1	03.320.34.55.0	Ø 25 / 70 x 6
1168	Sicherungsmutter / Lock nut / Écrou de sûreté	1	03.260.14.13.0	M 24 / SW 36
1525	Platte / Plate / Plaque	2	03.164.35.04.0	Ø 24,2 / 120 x 125 x 5
1540	Buchse / Bush / Douille	2	03.113.03.10.0	Ø 67,6 x 21

### 09.801.07.80.0

#### repair set for spring bolt storage

- adjustable support
- M 30 bolt thread
- 70 mm wide trailing arms
- straight steel support and C-cross member
- unattached wear plates



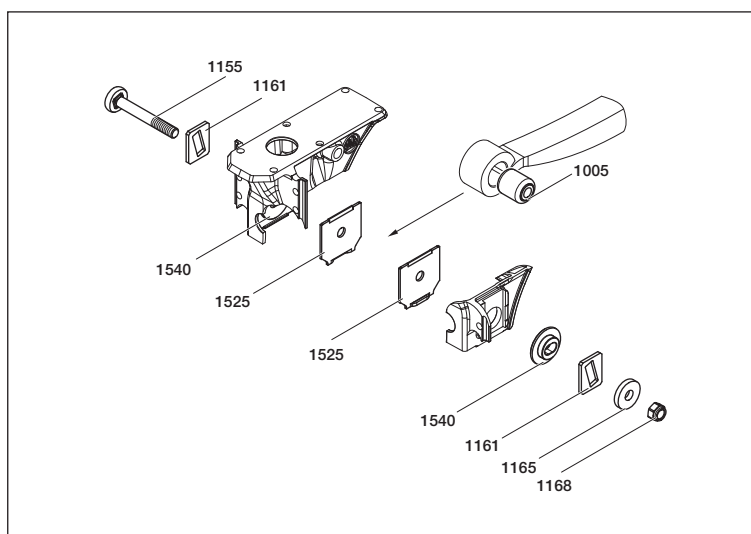
Pos. / Item / Rep.	Benennung / Designation / Désignation	Stück pro Satz / Quantity per Kit / Quantité par kit	BPW-Nummer / BPW-code-no. / Réf. BPW	Abmessung / Dimension / Dimension
1005	Buchse / Bush / Douille	1	02.0315.98.00	Ø 30,1 / 60 x 72
1155	Schraube / Screw / Vis	1	03.341.05.05.0	M 30 x 170 / Ø 62
1161	Platte / Plate / Plaque	2	03.281.54.18.0	104 x 57,5 x 8
1165	Scheibe / Washer / Rondelle	1	03.320.34.53.0	Ø 31 / 76 x 6
1168	Sicherungsmutter / Lock nut / Écrou de sûreté	1	03.260.15.01.0	M 30 / SW 46
1525	Platte / Plate / Plaque	2	03.164.35.01.0	Ø 30,2 / 120 x 125 x 5
1540	Buchse / Bush / Douille	2	03.113.23.01.0	Ø 73,6 x 23



### 09.801.07.81.0

#### repair set for spring bolt storage

- adjustable aluminum support
- M 24 bolt thread
- 70 mm wide trailing arms
- unattached wear plates

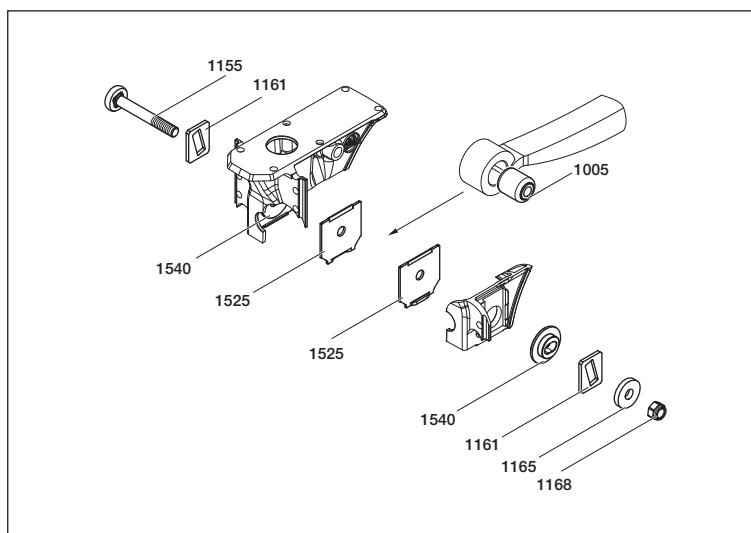


Pos. / Item / Rep.	Benennung / Designation / Désignation	Stück pro Satz / Quantity per Kit / Quantité par kit	BPW-Nummer / BPW-code-no. / Réf. BPW	Abmessung / Dimension / Dimension
1005	Buchse / Bush / Douille	1	02.0314.24.00	Ø 24,2 / 60 x 72
1155	Schraube / Screw / Vis	1	03.340.14.23.0	M 24 x 180 / Ø 56
1161	Platte / Plate / Plaque	2	03.281.54.20.0	86 x 65 x 8
1165	Scheibe / Washer / Rondelle	1	03.005.31.38.0	Ø 25 / 70 x 12
1168	Sicherungsmutter / Lock nut / Écrou de sûreté	1	03.260.14.13.0	M 24 / SW 36
1525	Platte / Plate / Plaque	2	03.164.35.04.0	Ø 24,2 / 120 x 125 x 5
1540	Buchse / Bush / Douille	2	03.113.00.50.1	Ø 90 x 20

### 09.801.07.82.0

#### repair set for spring bolt storage

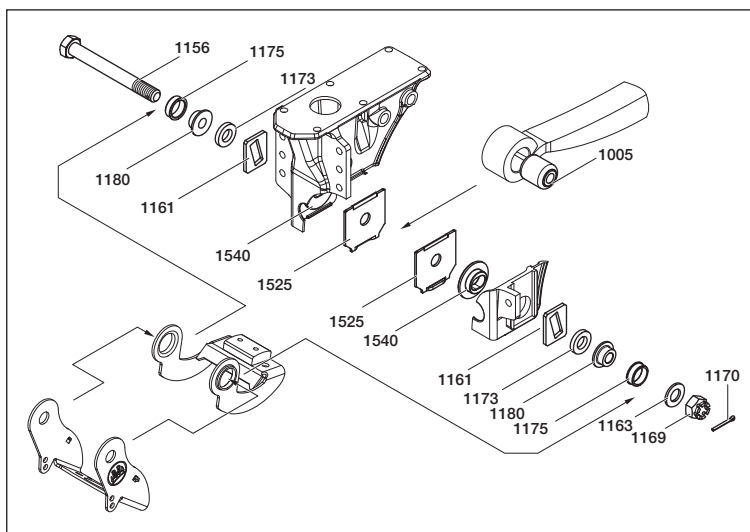
- adjustable aluminum support
- M 30 bolt thread
- 70 mm wide trailing arms
- unattached wear plates



Pos. / Item / Rep.	Benennung / Designation / Désignation	Stück pro Satz / Quantity per Kit / Quantité par kit	BPW-Nummer / BPW-code-no. / Réf. BPW	Abmessung / Dimension / Dimension
1005	Buchse / Bush / Douille	1	02.0315.98.00	Ø 30,1 / 60 x 72
1155	Schraube / Screw / Vis	1	03.341.05.02.0	M 30 x 180 / Ø 62
1161	Platte / Plate / Plaque	2	03.281.54.19.0	86 x 65 x 8
1165	Scheibe / Washer / Rondelle	1	03.320.34.53.0	Ø 31 / 76 x 6
1168	Sicherungsmutter / Lock nut / Écrou de sûreté	1	03.260.15.01.0	M 30 / SW 46
1525	Platte / Plate / Plaque	2	03.164.35.01.0	Ø 30,2 / 120 x 125 x 5
1540	Buchse / Bush / Douille	2	03.113.01.43.1	Ø 90 x 20

**09.801.07.83.0**
**repair set for spring bolt storage**

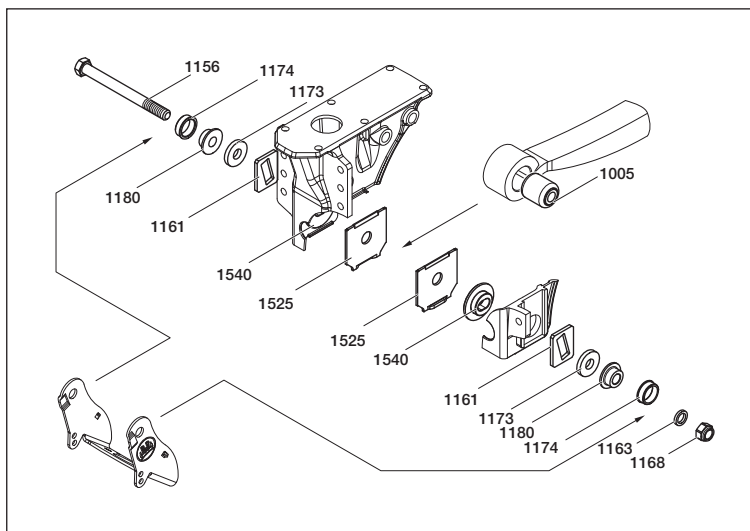
- adjustable aluminum support
- M 30 bolt thread
- 70 mm wide trailing arms
- lateral axle lifting device and two-side lift
- unattached wear plates



Pos. / Item / Rep.	Benennung / Designation / Désignation	Stück pro Satz / Quantity per Kit / Quantité par kit	BPW-Nummer / BPW-code-no. / Réf. BPW	Abmessung / Dimension / Dimension
1005	Buchse / Bush / Douille	1	02.0315.98.00	Ø 30,1 / 60 x 72
1156	Schraube / Screw / Vis	1	03.340.15.40.0	M 30 x 265 - 8.8 / SW 46
1161	Platte / Plate / Plaque	2	03.281.54.19.0	86 x 65 x 8
1163	Scheibe / Washer / Rondelle	1	03.320.32.38.0	Ø 31 / 57 x 5
1169	Kronenmutter / Castle nut / Écrou de fusée	1	02.5204.35.60	M 30
1170	Splint / Split pin / Goupille fendue	1	02.6201.62.01	6,3 x 50
1173	Scheibe / Washer / Rondelle	2	03.320.32.41.0	Ø 31 / 56 x 10
1175	Buchse / Bush / Douille	2	03.113.04.11.0	Ø 42 / 50,5 / 54 x 17
1180	Buchse / Bush / Douille	2	03.113.01.37.0	Ø 30 / 42 / 62 x 22
1525	Platte / Plate / Plaque	2	03.164.35.01.0	Ø 30,2 / 120 x 125 x 5
1540	Buchse / Bush / Douille	2	03.113.01.43.1	Ø 90 x 20

**09.801.07.84.0**
**repair set for spring bolt storage**

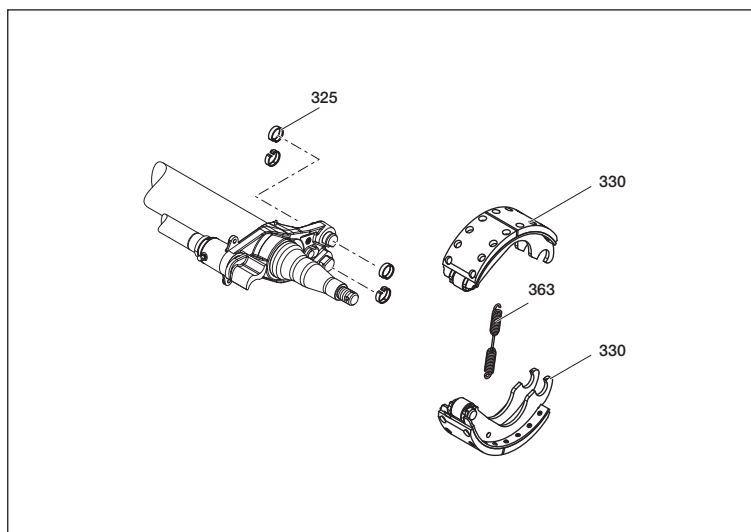
- adjustable aluminum support
- M 24 bolt thread
- 70 mm wide trailing arms
- lateral axle lifting device and two-side lift
- unattached wear plates



Pos. / Item / Rep.	Benennung / Designation / Désignation	Stück pro Satz / Quantity per Kit / Quantité par kit	BPW-Nummer / BPW-code-no. / Réf. BPW	Abmessung / Dimension / Dimension
1005	Buchse / Bush / Douille	1	02.0314.24.00	Ø 24,2 / 60 x 72
1156	Schraube / Screw / Vis	1	03.340.14.25.0	M 24 x 260 / Ø 56
1161	Platte / Plate / Plaque	2	03.281.54.20.0	86 x 65 x 8
1163	Scheibe / Washer / Rondelle	1	03.320.30.41.0	Ø 25 / 36 x 6
1168	Sicherungsmutter / Lock nut / Écrou de sûreté	1	03.260.14.13.0	M 24 / SW 36
1173	Scheibe / Washer / Rondelle	2	03.320.32.42.0	Ø 25 / 62 x 10
1174	Buchse / Bush / Douille	2	03.113.04.11.0	Ø 42 / 50,5 / 54 x 17
1180	Buchse / Bush / Douille	2	03.113.00.28.0	Ø 24 / 42 / 62 x 22
1525	Platte / Plate / Plaque	2	03.164.35.04.0	Ø 24,2 / 120 x 125 x 5
1540	Buchse / Bush / Douille	2	03.113.00.50.1	Ø 90 x 20



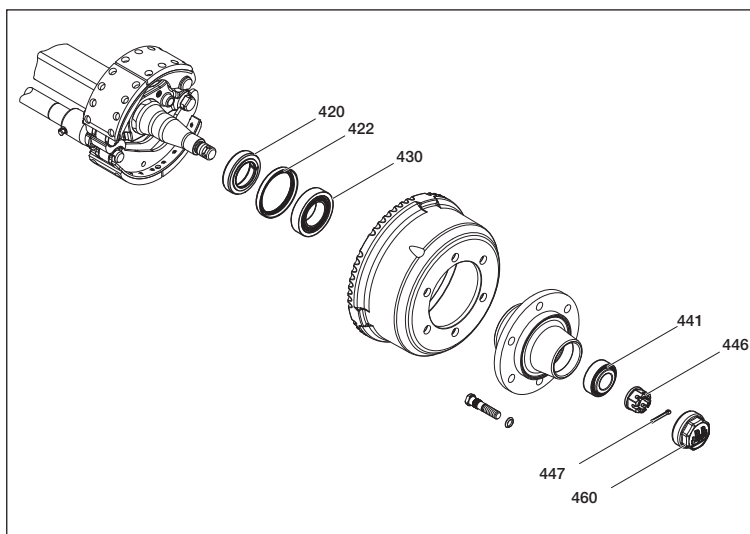
09.801.07.74.0  
brake repair set with brake shoes SN3010  
T090



Pos. / Item / Rep.	Benennung / Designation / Désignation	Stück pro Satz / Quantity per Kit / Quantité par kit	BPW-Nummer / BPW-code-no. / Réf. BPW	Abmessung / Dimension / Dimension
325	Hakensprengring (C-Klammer) / 'C' Clip / Circlips	8	03.188.02.02.0	Ø 33 / 30 x 10
330	Bremsbackengruppe, mit Belag / Brake shoe assembly, with lining / Mâchoire de frein cpl., avec garniture	4	05.091.12.27.1	
363	Zugfeder / Return spring / Ressort de traction	2	05.397.34.17.0	

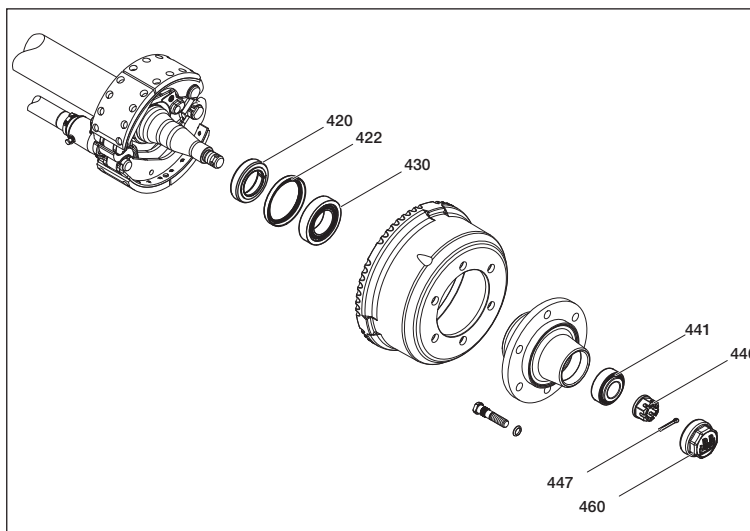


**09.801.07.85.0**  
**repair set for storage of NMS/NMZ**  
**5506/5508 axle type**



Pos. / Item / Rep.	Benennung / Designation / Désignation	Stück pro Satz / Quantity per Kit / Quantité par kit	BPW-Nummer / BPW-code-no. / Réf. BPW	Abmessung / Dimension / Dimension
420	Stoßring / Thrust ring / Bague de butée	1	03.370.06.36.0	Ø 62 / 78 / 105 x 24
422	Wellendichtring / Oil seal / Joint à lèvres	1	02.5664.04.00	Ø 105 / 120 x 8
430	Kegelrollenlager / Roller bearing / Roulement	1	02.6405.60.00	32212
441	Kegelrollenlager / Roller bearing / Roulement	1	02.6407.40.00	33208
446	Kronenmutter / Castle nut / Écrou de fusée	1	03.262.15.04.0	M 30 x 2 / SW 46 / 34 mm
447	Splint / Split pin / Goupille fendue	1	02.6201.60.01	6,3 x 36
460	Kapsel / Hubcap / Capuchon	1	03.212.22.04.0	M 84 x 2

**09.801.07.86.0**  
**repair set for storage of NRS/NRZ 5506-1**  
**axle type**



Pos. / Item / Rep.	Benennung / Designation / Désignation	Stück pro Satz / Quantity per Kit / Quantité par kit	BPW-Nummer / BPW-code-no. / Réf. BPW	Abmessung / Dimension / Dimension
420	Stoßring / Thrust ring / Bague de butée	1	03.370.06.53.0	Ø 62 / 100 x 24
422	Wellendichtring / Oil seal / Joint à lèvres	1	02.5664.51.00	Ø 100 / 120 x 12
430	Kegelrollenlager / Roller bearing / Roulement	1	02.6405.60.00	32212
441	Kegelrollenlager / Roller bearing / Roulement	1	02.6407.40.00	33208
446	Kronenmutter / Castle nut / Écrou de fusée	1	03.262.15.04.0	M 30 x 2 / SW 46 / 34 mm
447	Splint / Split pin / Goupille fendue	1	02.6201.60.01	6,3 x 36
460	Kapsel / Hubcap / Capuchon	1	03.212.22.04.0	M 84 x 2