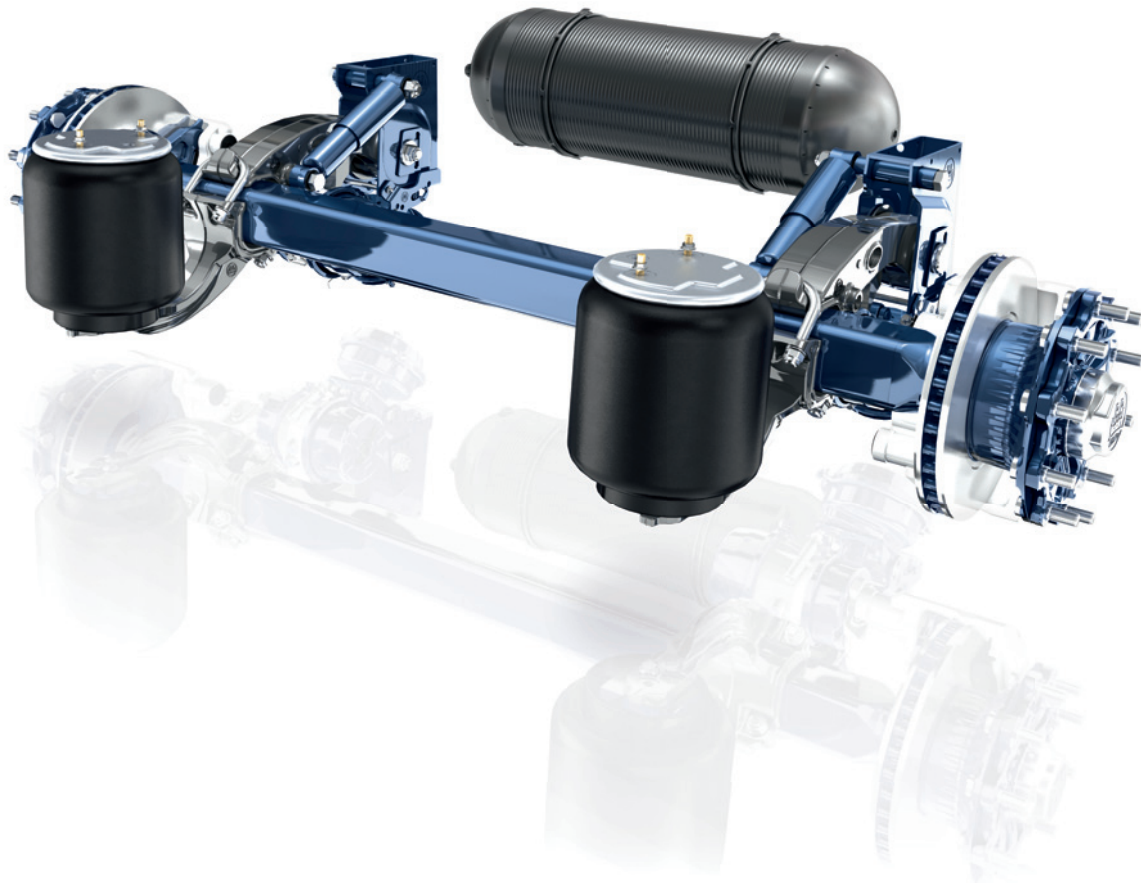


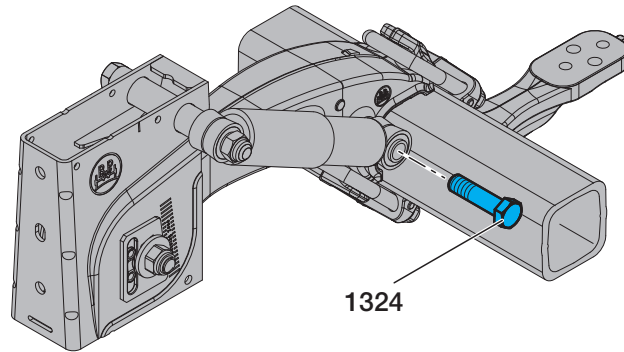
## Repair kits for new air suspension ECO Air COMPACT



### Summary

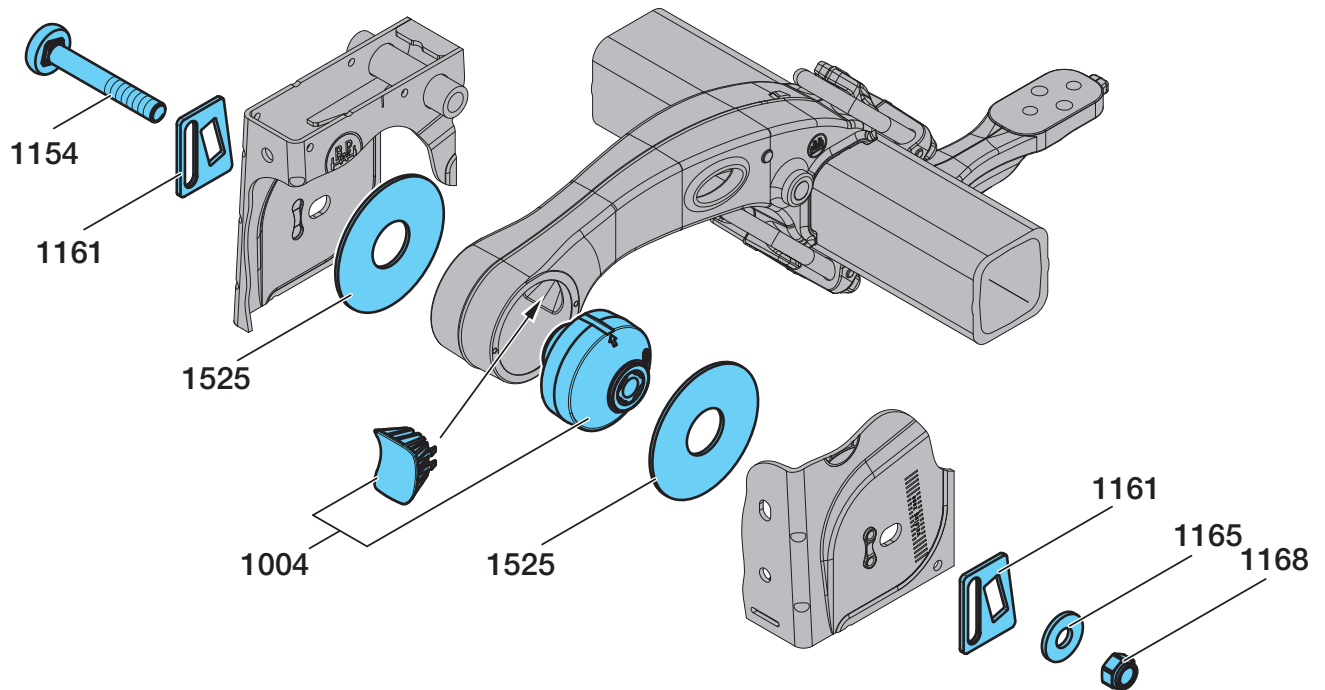
- |                |  |
|----------------|--|
| 09.801.08.11.0 | Repair kit shock absorber mount  |
| 09.801.08.12.0 | Repair kit for spring pivot bolt bearing for adjustable hanger bracket |
| 09.801.08.13.0 | Repair kit shaped part for two-side axle lift                          |
| 09.801.08.14.0 | Repair kit for spring seat arrangement                                 |
| 09.801.08.20.0 | Repair kit bush for trailing arm                                       |

## 09.801.08.11.0 Repair kit shock absorber mount



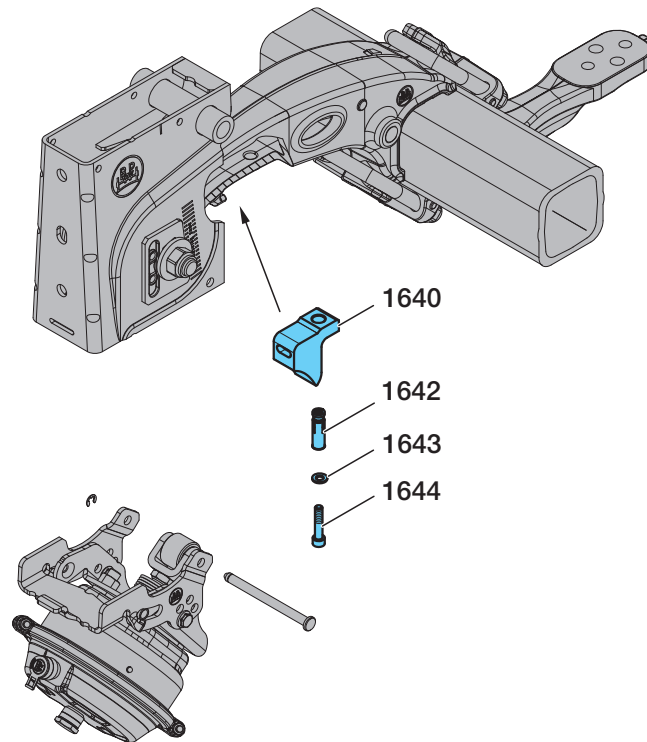
Pos.	Designation	Code number	Dimension	Qty.
1324	Hexagon screw	03.340.14.32.0	M 24 x 95 - 8.8 / SW 36	1

## 09.801.08.12.0 Repair kit for spring pivot bolt bearing for adjustable hanger bracket (spring bolt with M 24 thread)



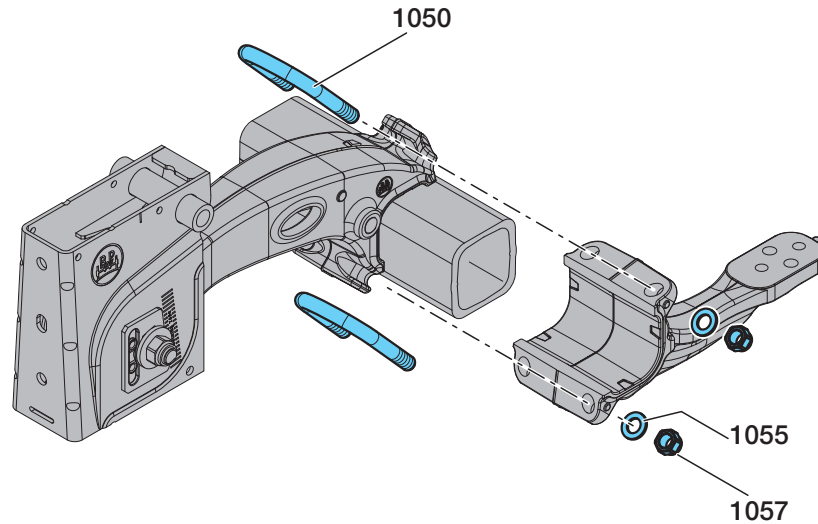
Pos.	Designation	Code number	Dimension	Qty.
1004	Repair kit bush	09.801.08.20.0		1
1154	Spring bolt	03.340.14.33.0	M 24 x 171 / Ø 56	1
1161	Plate (adjusting plate)	03.281.34.12.0	107 x 85/70 x 6	2
1165	Washer	03.320.33.28.0	Ø 25 / 60 x 6	1
1168	Lock nut	03.260.14.13.0	M 24 / SW 36	1
1525	Washer	03.320.38.29.0	Ø 59,1 / 170 x 4,5	2

### 09.801.08.13.0 Repair kit shaped part for two-side axle lift



Pos.	Designation	Code number	Dimension	Qty.
1640	Shaped part	03.001.35.17.0		1
1642	Anchor bolt	02.0130.87.10	M 10	1
1643	Washer	02.5401.10.11	A 10	1
1644	Cylinder cap screw	02.5015.27.82	M 10 x 50 / SW 8	1

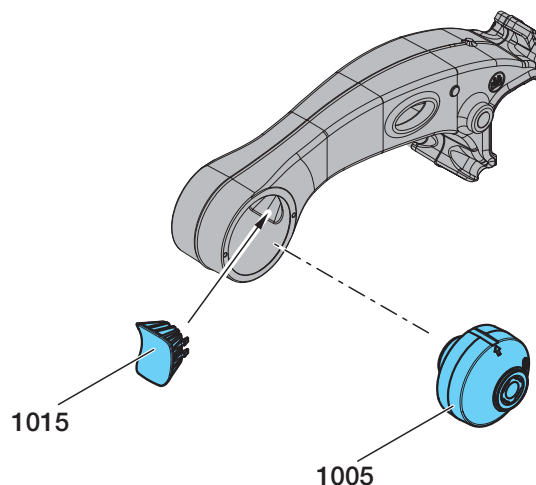
### 09.801.08.14.0 Repair kit for spring seat arrangement



Pos.	Designation	Code number	Dimension	Qty.
1050	U-bolt*	03.138.32.16.0	M 20 / 120 x 140	2
1055	Washer*	02.5401.21.10	A 21	4
1057	Lock nut*	03.260.04.21.0	M 20 - 10 / SW 30	4

\* Available in set only!

### 09.801.08.20.0 Repair kit bush for trailing arm



Pos.	Designation	Code number	Dimension	Qty.
1005	Bush*	02.0314.38.00	Ø 24 / 43 / 59 / 132 x 112	1
1015	Plug*	03.379.00.39.0	60 x 83,5 x 44	1

\* Available in set only!