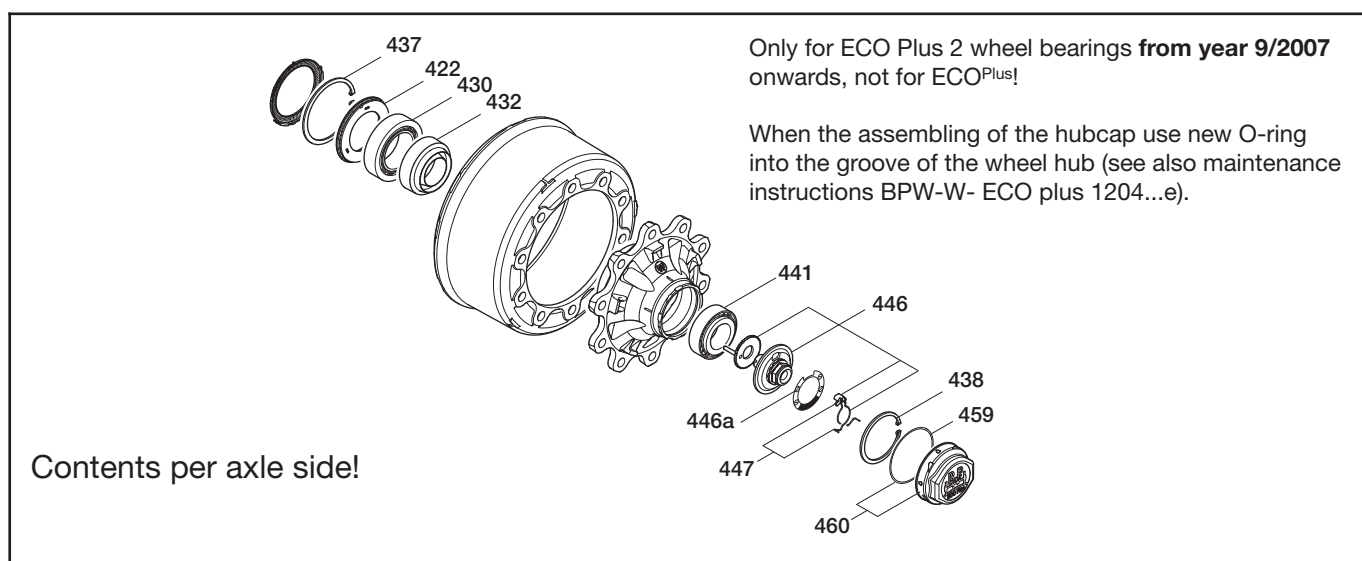


A flexible response - With the new repair kits for ECO Plus 2!

From **September 2007** onwards, all ECO^{Plus} versions up to 9 t axle load (drum and disc-brake rigid axles, steering axles) will be replaced by the ECO Plus 2 axle series. The following pages provide an overview of important repair kits and assembly tools.

1. Tapered roller bearing repair kits 09.801.07.33.0 / 09.801.07.34.0 (ECO Plus 2 Unit)



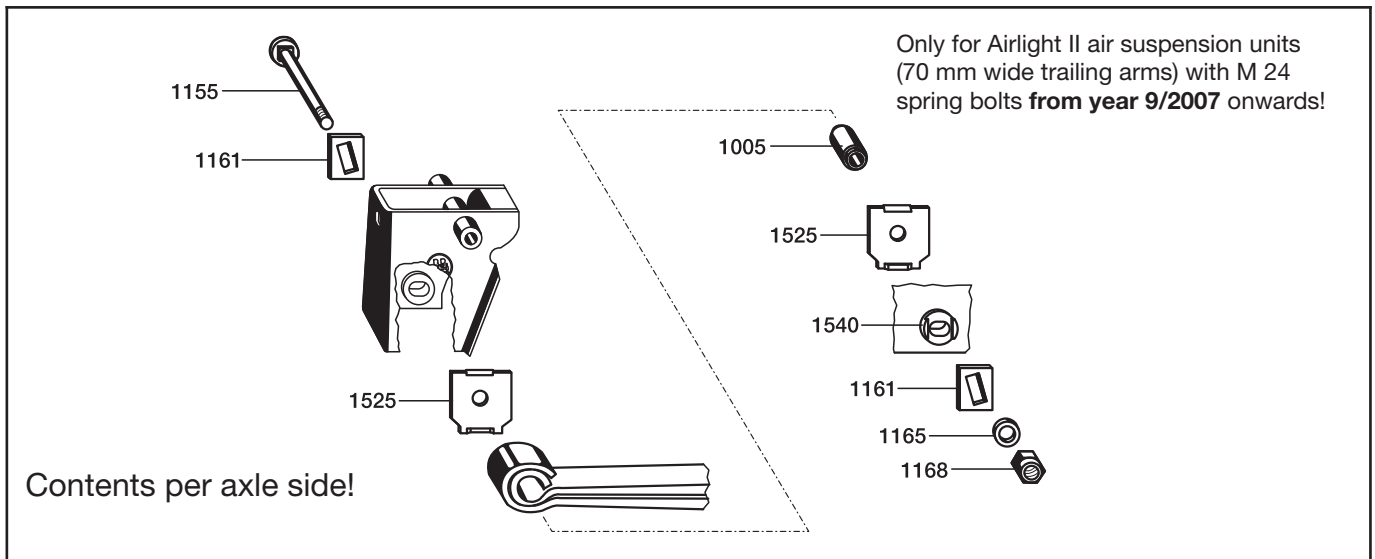
Item	Designation	Quantity per Kit	BPW Code-No. 09.801.07.33.0	Dimension / Remark
422	Seal ECO ^{Seal}	1	02.5664.74.00	Ø 117.5 / 158 x 17.5
430	Roller bearing	1	02.6410.23.00	33118
432	Sealing ring (grease cartridge)	1	03.120.47.08.0	Ø 101 / 130 x 50
437	Locking ring	1	02.5606.58.90	Ø 158 x 4
438	Locking ring	1	02.5606.22.90	Ø 122 x 4
441	Roller bearing	1	02.6410.22.00	33213
446	Axle screw with toothed washer, incl. item 447	1	09.001.37.03.0	M 32 x 2 / SW 46
446a	Trailer (paper)	1	02.0130.13.10	Do not use impact drivers!
447	Hooked spring ring, incl. locking piece	1	05.188.03.10.0	
459	O-ring	1	02.5678.65.00	Ø 128 x 3
460	Hubcap (bayonet lock), incl. item 459	1	05.212.25.78.0	Ø 137 / Ø 142.6 x 56.3

Repair kit 09.801.07.34.0 contains a reduced range of parts with items 422, 430, 437, 438, 441 and 459 (see table above).





2. Spring bolt bearing repair kit 09. 801.07.38.0

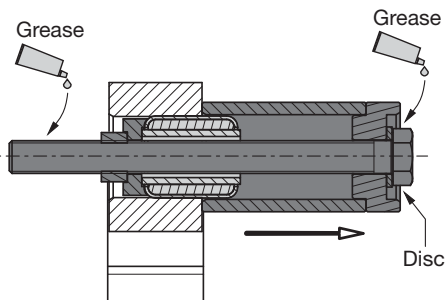


Item	Designation	Quantity per Kit	BPW Code-No. 09.801.07.38.0	Dimension / Remark
1005	Bush	1	02.0314.24.00	Ø 24.2 / 60 x 72
1155	Screw	1	03.340.14.20.0	M 24 x 166
1161	Plate	2	03.281.44.25.0	98 x 51.5 x 6
1165	Disc	1	03.320.34.55.0	Ø 25 / 70 x 6
1168	Lock nut	1	03.260.14.13.0	M 24
1525	Plate	2	03.164.35.03.0	Ø 24.2 / 120 x 125 x 5
1540	Shaped part	2	03.113.03.10.0	Ø 67.6 x 21

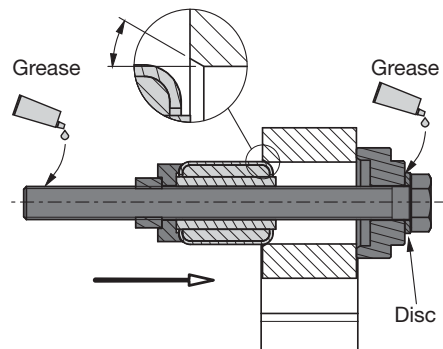
3. Assembly tool 14.825.23616 for SRS trailing arm bush

Using assembly tool 14.825.23616, it is possible to adapt from the M 30 spring bolt to the M 24 spring bolt and back again by changing the steel/rubber/steel bush in the trailing arm (see illustrations below). As an alternative, the familiar tools 03.084.37.10.0 (Ø 30) and 03.084.37.11.0 (Ø 24) are still available for renewing the bush under a press (see tool brochure BPW-WP 1218...e).

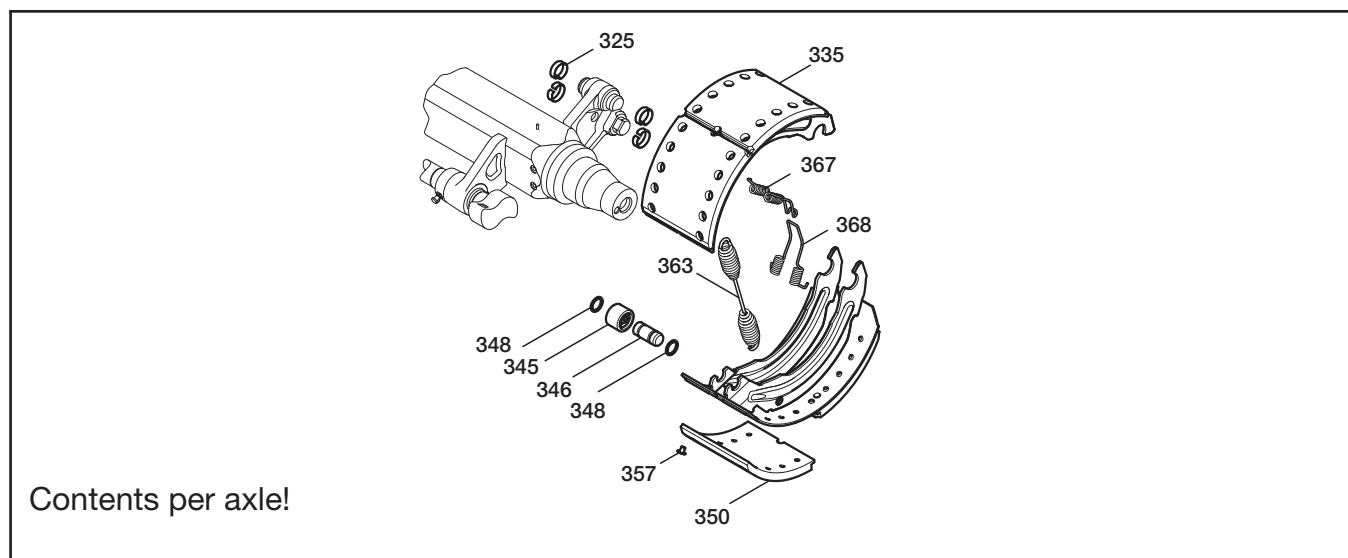
Press-out procedure



Press-in procedure

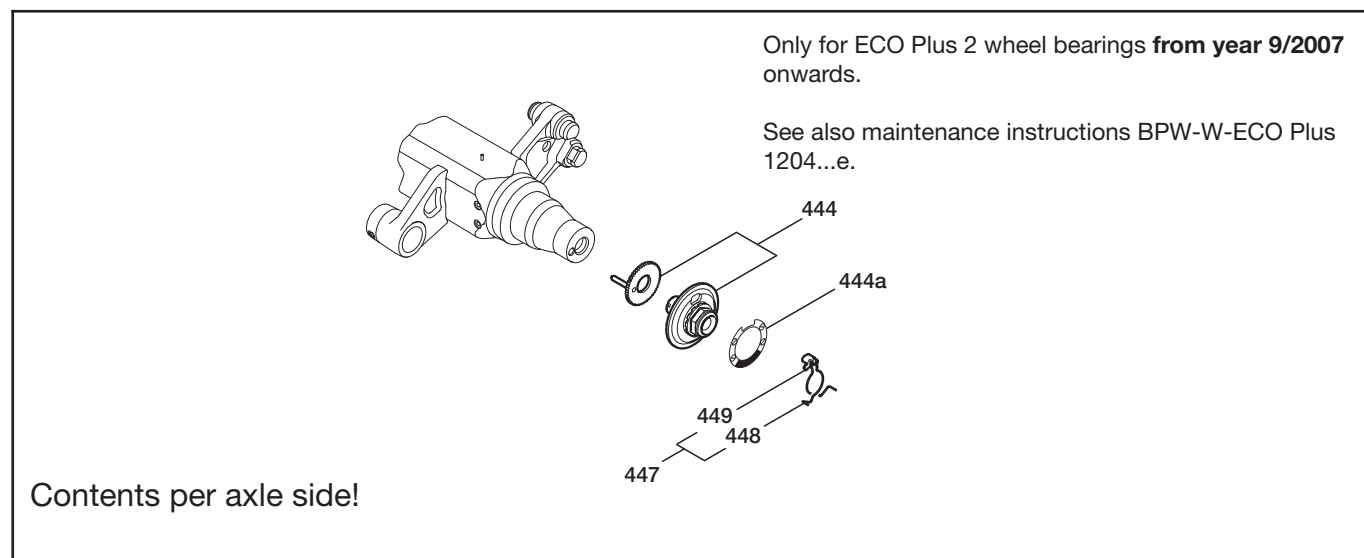


4. SN 4218 ECO Drum brake repair kit 09.801.07.39.0 (ECO Plus 2)



Item	Designation	Quantity per Kit	BPW Code-No. 09.801.07.39.0	Dimension / Remark
329	SN 42.. brake repair kit (Return springs / hooked spring ring (C-clip) Pos. 325, 363, 367, 368	1	09.801.06.79.0	For versions from Year 3/1995 (brake 95)
330	Brake shoe group SN 4218, with lining Pos. 335, 345 - 348, 350, 357	4	05.091.46.32.1	For versions from Year 3/1995 (brake 95)

5. Axle bolt repair kit with disc 09.001.37.03.0



Item	Designation	Quantity per Kit	BPW Code-No. 09.001.37.03.0	Dimension / Remark
444	Axle screw with toothed washer	1	05.001.37.03.0	
444a	Trailer (paper)	1	02.0130.13.10	Do not use impact drivers!
447	Hooked spring ring, item 448 + 449	1	05.188.03.10.0	
448	Hooked spring ring	1	03.188.03.09.0	
449	Locking piece	1	03.277.10.01.0	

6. Dust cover repair kit 99.00.000.1.12 / SN 4218 ECO Drum (ECO Plus 2)

Only for ECO Drum SN 4218 drum brake axles **from year 9/2007** onwards, not for ECO^{Plus}!

Contents per axle!

Item	Designation	Quantity per kit	BPW Code-No. 99.00.000.1.12	Dimension / Remark
501	Dust cover	1	03.010.91.96.0	
502	Dust cover	1	03.010.91.97.0	
503	Dust cover	1	03.010.91.94.0	
504	Dust cover	1	03.010.91.95.0	
508	Return spring for dust cover	2	03.397.11.02.0	Ø 8.4 / 1.8 x 34
510	Collar screw	4	02.5071.55.80	M 10 x 1.5 x 15 - 8.8

7. Dust cover repair kit 99.00.000.1.13 / 99.00.000.1.14

99.00.000.1.13 =
16° brake position

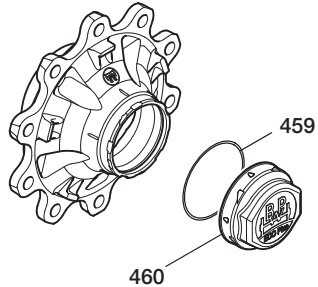
99.00.000.1.14 =
30° brake position

Only for ECO^{Plus} drum brake axles **up to year 8/2007!**

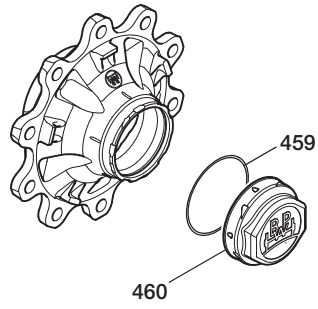
Contents per axle!

Item	Designation	Quantity per kit	BPW Code-No. in repair kit 99.00.000.1.13	BPW Code-No. in repair kit 99.00.000.1.14	Dimension / Remark
501	Dust cover	1	03.010.71.10.0	03.010.71.14.0	
502	Dust cover	1	03.010.71.09.0	03.010.71.13.0	
503	Dust cover	1	03.010.71.08.0	03.010.71.12.0	
504	Dust cover	1	03.010.71.07.0	03.010.71.11.0	
510	Collar screw	8	02.5071.55.80	02.5071.55.80	M 10 x 1.5 x 15 - 8.8

8. Hubcap repair kit 05.212.25.78.0 for ECO Plus 2

		<p>Only for ECO Plus 2 wheel bearings from year 9/2007 onwards. When the assembling of the hubcap use new O-ring into the groove of the wheel hub (see also maintenance instructions BPW-W- ECO plus 1204...e).</p> <p>The repair kit is only completely available.</p>		
		<p>Contents per axle side!</p>		
Item	Designation	Quantity per kit	BPW Code-No. 05.212.25.78.0	Dimension / Remark
459	O-ring	1	02.5678.65.00	Ø 128 x 3
460	Hubcap (bayonet lock)	1	03.212.25.68.0	Ø 137 / Ø 142.6 x 56.3

9. Digital ECOMETER 05.212.75.05.0 for ECO Plus 2

		<p>Only for ECO Plus 2 wheel bearings from year 9/2007 onwards. When the assembling of the hubcap use new O-ring into the groove of the wheel hub (see also maintenance instructions BPW-W- ECO plus 1204...e).</p> <p>The repair kit is only completely available.</p>		
		<p>Contents per axle side!</p>		
Item	Designation	Quantity per kit	BPW Code-No. 05.212.75.05.0	Dimension / Remark
459	O-ring	1	02.5678.65.00	Ø 128 x 3
460	Digital ECOMETER ECO Plus 2 incl. item 459	1	05.212.75.05.0	Bayonet lock

As well as the version with a bayonet lock, there are also versions available for the threaded dimensions of the ECO and ECO^{Plus} axle series:

Item	Designation	Quantity per kit	BPW Code-No.	Dimension / Remark
---	Digital ECOMETER ECO ^{Plus}	1	05.212.75.06.0	Thread M 136 x 2.5
---	Digital ECOMETER ECO MAXX	1	05.212.75.07.0	Thread M 135 x 2