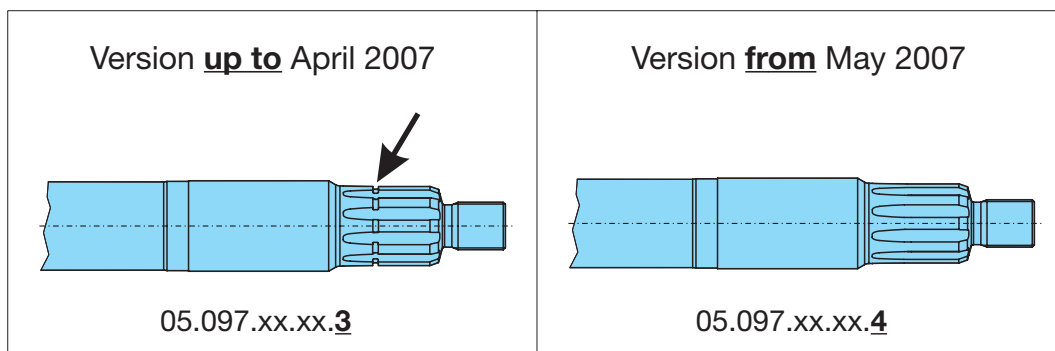



## Brake camshafts without an annular groove in the spline profile!

At the **end of May 2007**, the annular **groove** in the brake camshaft spline profile will be deleted from all long brake camshafts (brake camshafts for drum brake axles with support bearings). This affects brake sizes **SN 300** (NH.. / NR..), **SN 360** (KH.. / KR..) and **SN 420** (H.. / R..). The modification is indicated by the former final digit of the brake camshaft code number .3 being replaced by the final digit .4 (e.g. 05.097.xx.xx.3 changes to 05.097.xx.xx.4).



The deletion of the groove means the slack adjuster length on the brake camshaft changes. (Pushed-on bush instead of circlip.) This means the repair kits for the **conventional brake camshaft bearings** will change (**SN 300, SN 360, SN 420 up to manufacturing date 12/92**):

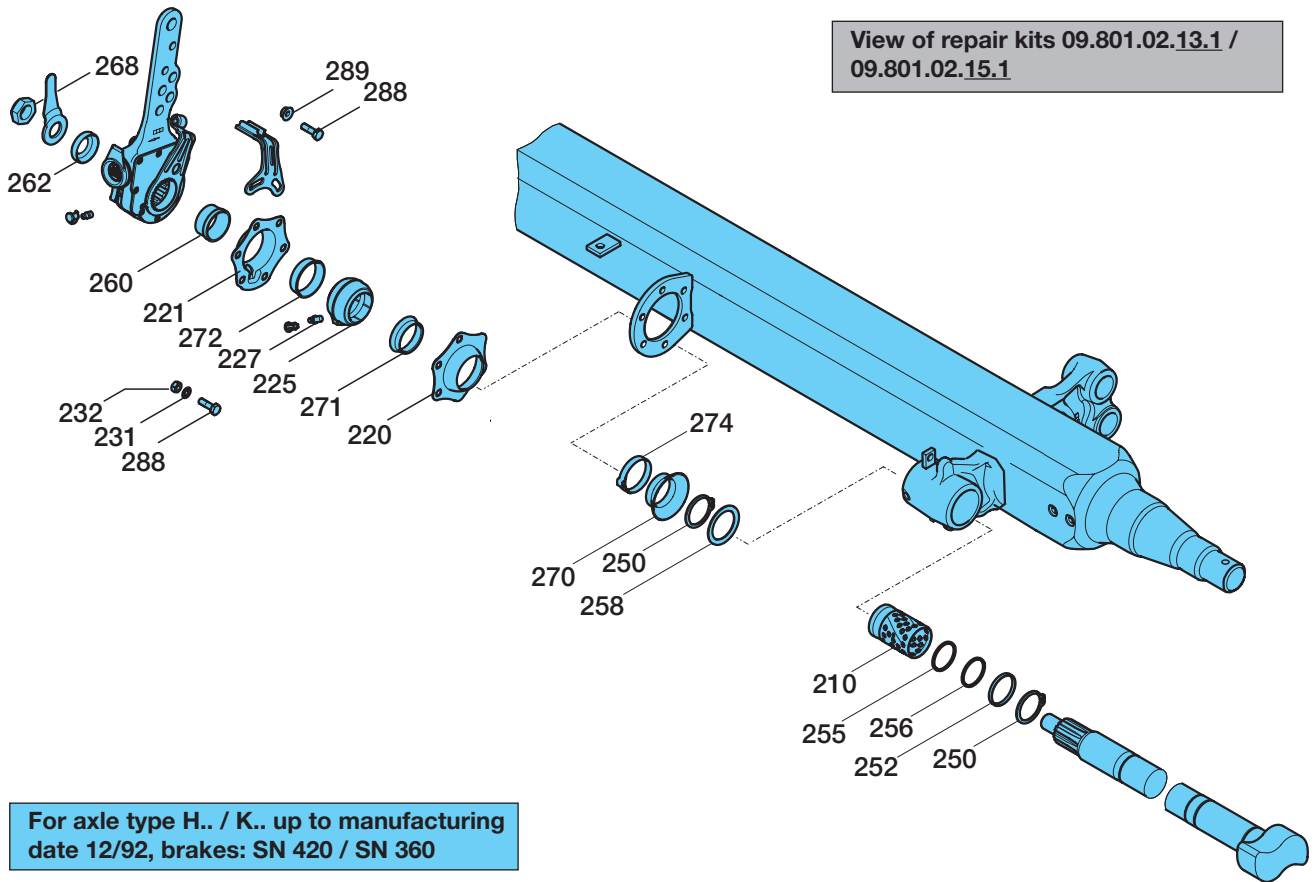
Former repair kit for brake camshaft bearing (for brake camshafts 05.097.xx.xx. <u>0</u> - 05.097.xx.xx. <u>3</u> )	New repair kit for brake camshaft bearing (for brake camshafts 05.097.xx.xx. <u>1</u> - 05.097.xx.xx. <u>4</u> )	Remarks
09.801.02.13. <u>0</u>	09.801.02.13. <u>1</u>	---
09.801.02.15. <u>0</u>	09.801.02.15. <u>1</u>	Support bearing

-  Stocks of existing repair kits 09.801.02.13.0 and 09.801.02.15.0 are only allowed to be used up with brake camshafts that have the final digit .0 - .3. The repair kit 09.801.06.09.1 (low-maintenance brake camshaft bearing for SN 300, SN 360, SN 420 after manufacturing date 1/93) is unaffected by the modification and can be used for brake camshafts with end digits .1 - .3 and .4.

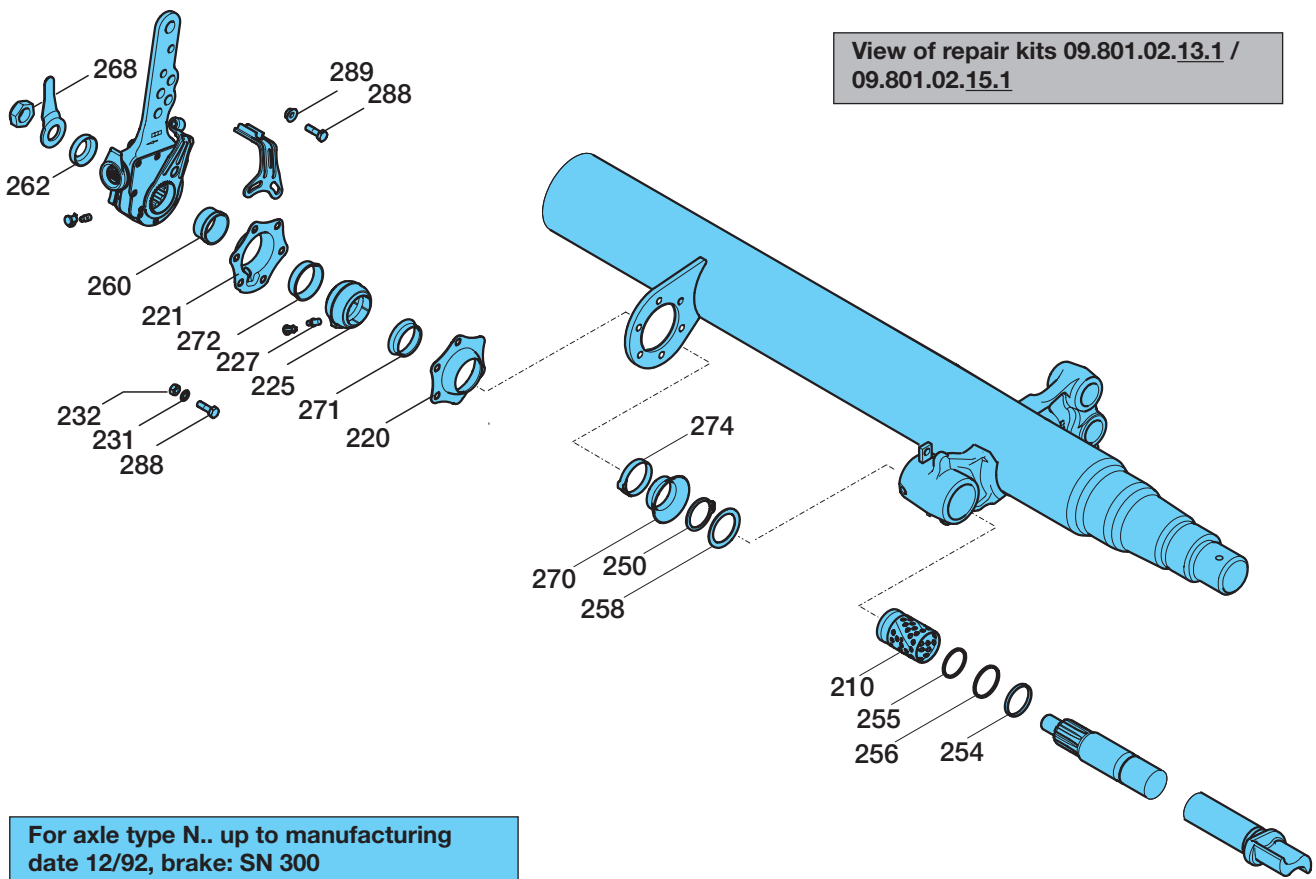




View of repair kits 09.801.02.13.1 / 09.801.02.15.1



View of repair kits 09.801.02.13.1 / 09.801.02.15.1



### Brake camshaft repair kit - overview 09.801.02.13.0 / 09.801.02.13.1

		Repair kit 09.801.02.13.0			Repair kit 09.801.02.13.1		
No.	Description	BPW code no.	Dimension	Qty.	BPW code no.	Dimension	Qty.
		<b>09.801.02.13.0:</b>	<i>Up to 04/2007</i>		<b>09.801.02.13.1:</b>	<i>From 05/2007</i>	
210	Bush	03.112.44.34.0	Ø 42 / 46 x 73	1	03.112.44.34.0	Ø 42 / 46 x 73	1
220	Bearing box	03.229.02.09.0		1	03.229.02.19.0		1
221	Bearing box	03.229.02.10.0		1	03.229.02.18.0		1
225	Spherical bearing	03.113.14.01.0		1	03.113.14.04.0		1
227	Grease nipple	02.6850.02.02	BS 8 x 1 / 71412	1	02.6850.17.00	BM 8 X 1 / 71412	1
231	Spring washer	02.5403.08.92	B8 / 137	6	02.5403.08.92	B8 / 137	4
232	Hexagon nut	02.5202.12.82	M 8	6	02.5202.12.82	M 8	4
<b>245</b>	<b>Repair kit</b>	<b>09.801.00.14.2</b>		1	<b>09.801.00.43.1</b>		1
271	Sealing ring	03.120.43.14.0	Ø 41 / 47 x 25	1	03.120.42.09.0	Ø 42 x 15	1
272	Sealing ring	03.120.43.10.0	Ø 34 / 39,5 x 25,5	1	03.120.42.08.0	Ø 42 x 13,5	1
274	Circlip	03.350.30.02.0	Ø 49 x 9	1	03.350.30.02.0	Ø 49 x 9	1
288	Hexagon bolt	02.5025.30.82	M 8 x 25	6	02.5025.30.82	M 8 x 25	4
289	Lock nut (Tensilock)	02.5273.32.82	M 8	2	02.5273.32.82	M 8	2
<b>245 Repair kit</b>		<b>09.801.00.14.2:</b>			<b>09.801.00.43.1:</b>		
250	Locking ring	02.5676.01.00	A 42 x 2,5	2	02.5676.01.00	A 42 x 2,5	2
252	Ring	03.310.12.24.0	Ø 42 / 56 x 2	1	03.310.12.24.0	Ø 42 / 56 x 2	1
254	Ring	03.310.81.02.0	Ø 42 / 46 x 4 (N..)	1	03.310.81.02.0	Ø 42 / 46 x 4 (N..)	1
255	O-Ring				02.5677.37.42	Ø 37 x 2,6	1
256	O-Ring	02.5679.23.00	Ø 40 x 2,5 (green)	1	02.5679.23.00	Ø 40 x 2,5 (green)	1
258	Sealing ring	03.120.42.02.0	Ø 42 / 46 / 55 x 7	1	03.120.42.02.0	Ø 42 / 46 / 55 x 7	1
260	Circlip	02.5616.05.90	Ø 37 / 41 x 2	1			
260	Circlip				03.113.03.06.0	Ø 37,4 / 45 x 21,3	1
262	Washer	03.320.11.16.1	Ø 22,5 / 42 x 10,5	1	03.320.11.16.1	Ø 22,5 / 42 x 10,5	1
268	Lock nut	03.260.14.12.0	M 22 x 1,5 x 15	1	03.260.14.08.0	M 22 x 1,5 x 15	1
270	Sealing ring	03.120.43.14.0	Ø 41 / 47 x 25	1	03.120.43.14.0	Ø 41 / 47 x 25	1
274	Circlip	03.350.30.02.0	Ø 49 x 9	1	03.350.30.02.0	Ø 49 x 9	1

### Support bearing repair kit - overview 09.801.02.15.0 / 09.801.02.15.1

		Repair kit 09.801.02.15.0			Repair kit 09.801.02.15.1		
No.	Description	BPW code no.	Dimension	Qty.	BPW code no.	Dimension	Qty.
		<b>09.801.02.15.0:</b>	<i>Up to 04/2007</i>		<b>09.801.02.15.1:</b>	<i>From 05/2007</i>	
220	Bearing box	03.229.02.09.0		1	03.229.02.19.0		1
221	Bearing box	03.229.02.10.0		1	03.229.02.18.0		1
225	Spherical bearing	03.113.14.01.0		1	03.113.14.04.0		1
227	Grease nipple	02.6850.02.02	BS 8 x 1 / 71412	1	02.6850.17.00	BM 8 x 1 / 71412	1
231	Spring washer	02.5403.08.92	B8 / 137	6	02.5403.08.92	B8 / 137	4
232	Hexagon nut	02.5202.12.82	M 8	6	02.5202.12.82	M 8	4
288	Hexagon bolt	02.5025.30.82	M 8 x 25	6	02.5025.30.82	M 8 x 25	4
289	Lock nut (Tensilock)	02.5273.32.82	M 8	2	02.5273.32.82	M 8	2

The aforementioned repair kits are for **one axle side!**