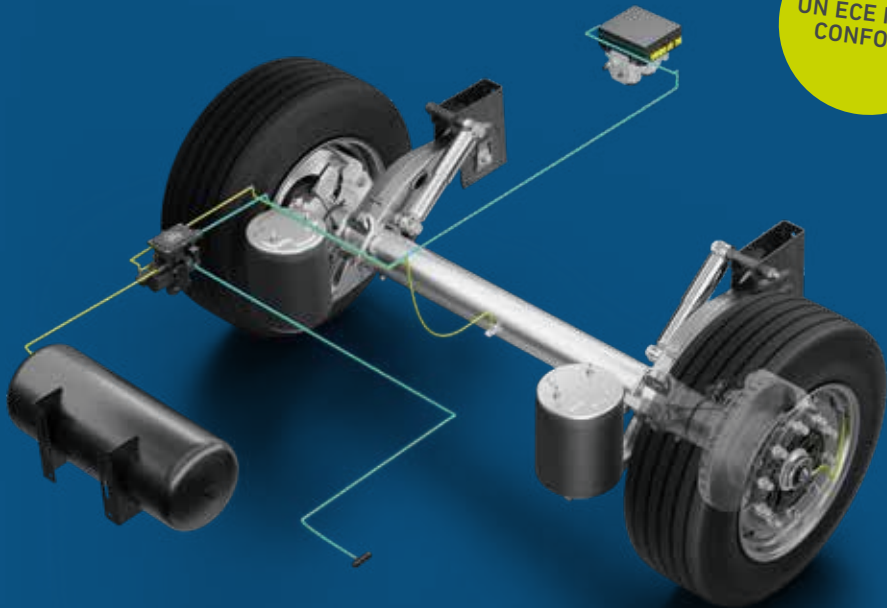


we think transport



**BPW AirSave**

# OPTIMAL PRESSURE FOR MAXIMUM SAVINGS.



UN ECE R 141  
CONFORM

# MAXIMUM OPERATING EFFICIENCY AND A HIGHER DEGREE OF SAFETY OPTIMAL TYRE PRESSURE.

BPW's AirSave allows you to continuously track and control your tyre pressure while driving. At the same time, you meet all legal requirements.

The tyre pressure is constantly monitored and automatically adjusted to the desired level via a control box with booster. Should the pressure deviate considerably from the norm, for example in the event of tyre damage, a warning light informs the driver to this effect so that they can promptly drive to a service station instead of having to stop on the side of the motorway. This significantly reduces the risk of accidents and downtimes can be avoided. In addition, optimum pressure at all times saves fuel and reduces carbon emissions.

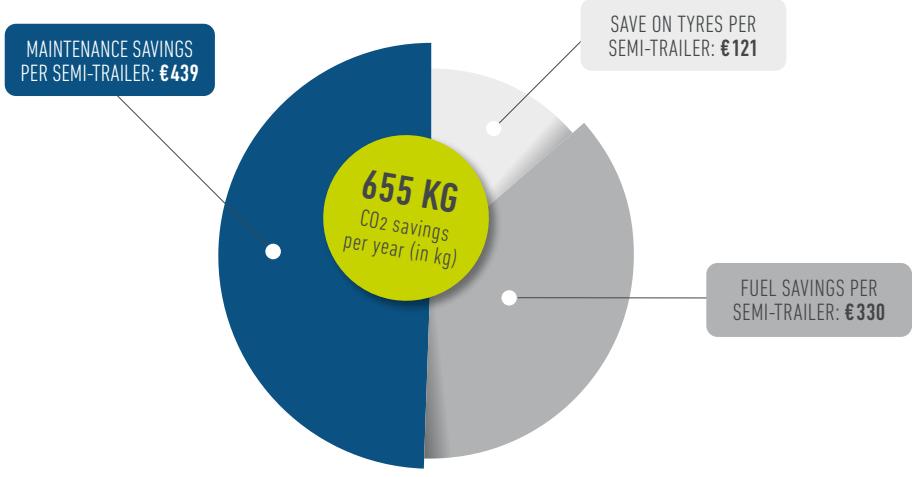
## ADVANTAGES FOR YOU

- Reduced operating expenses due to ideal tyre pressure.
- Optimally scheduled workshop visits with continuous monitoring.
- Increased safety by preventing tyre blowouts.
- Driver information in the event of pressure deviations in the system thanks to the optional LED on the vehicle's frame.
- Increased tyre life expectancy.
- A low-maintenance, robust product for greater operational efficiency.
- Easy tyre change, no need to program sensors.
- Included as part of the BPW maintenance contract.



\* at 120,000 km mileage and 10 % pressure deviation

# AIRSAVE PAYS OFF!



Example calculation for a 3-axle trailer

## SAVE MORE WITH IC PLUS RUNNING GEARS.

With our new iC Plus running gear generation, you can not only check the tyre pressure, but also display the axle loads in real time to optimise how you use your vehicles.

Furthermore, iC Plus allows brake pad and performance analyses and digital maintenance management.

In this way, the gains in safety and efficiency go hand in hand with iC Plus: the risks of overloading, worn brake pads and missed maintenance appointments are reduced and also take the fear out of official inspections – for more efficient and economical transport every day.

[www.icplus.bpw.de](http://www.icplus.bpw.de)



The brands of the BPW Group:



BPW AirSave 19692401 e **divve GmbH**

**BPW Bergische Achsen Kommanditgesellschaft**

Postbox 1280 · 51656 Wiehl, Germany · Phone +49 (0) 2262 78-0

info@bpw.de · [www.bpw.de](http://www.bpw.de)