

The brands of the BPW Group:



# NO MORE HEAVY LOADS TO BEAR.

BPW swivel axles



BPW swivel axles 19152001 e **conception GmbH**

**BPW Bergische Achsen Kommanditgesellschaft**

Postbox 1280 · 51656 Wiehl, Germany · Telephone +49 (0) 2262 78-0

info@bpw.de · [www.bpw.de](http://www.bpw.de)

# The market leader in the heavy-load sector.

With BPW's reliable swivel axles, heavy low-loaders, semi-trailers, special vehicles and modular platforms can easily master critical surfaces and difficult terrain.

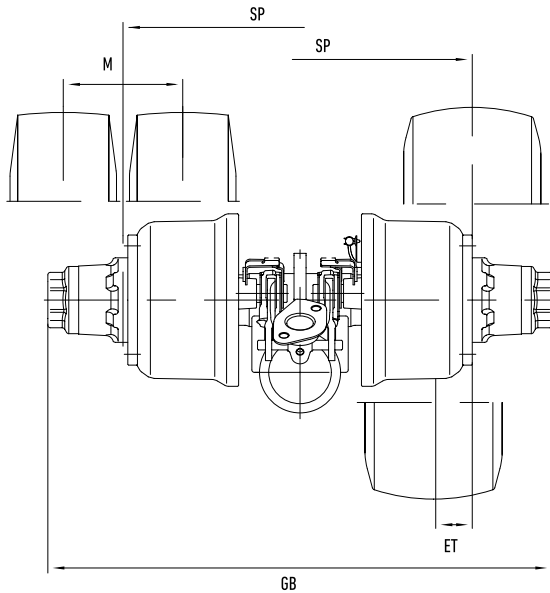
The highly flexible swivel bearing compensates for uneven floors and ensures optimal ground contact. This in turn ensures that both driver and load are safer. In addition, you also benefit from the space-optimised technology from high-volume production.

## THE ADVANTAGES ARE IMPRESSIVE

- For axle loads from 6 t to 60 t (tandem swivel axles from 2 × 10 t to 2 × 30 t).
- Robust technology for the toughest applications.
- Long service life thanks to KTL<sub>ZN</sub> coating.
- ECO Plus hub system (9 - 12 t).
- Weight-optimised 9 - 12 t swivel axle with hollow axle beam.
- Easier handling and quicker brake lining replacement thanks to the ECO principle and ECO Drum brake (quick release brake shoes).
- Very compact design that allows a very low overall height and the narrowest possible track.
- Universal 7 t swivel axle for ET = 55 at 17.5", ET = 66 at 19.5".
- Travel direction-independent version for 9 - 13 t with brakes SN 3015/3020.



BPW 12 t swivel axle  
with SN3015 brake



### BPW SWIVEL AXLES FOR 15" TO 24" TYRES

Axle type	Axle load	Wheel connection	Brake	SP	GB	ET/M	Tyres
NRD ...	6 t	10 x M22 x 1,5/Ø225/Ø175,8	SN 3012	494	730	ET = 55	245/70 R17,5
NRD ...	7 t	10 x M22 x 1,5/Ø225/Ø175,8	SN 3012	518	794	ET = 66	285/70 R19,5
NRD ...	7 t	10 x M22 x 1,5/Ø225/Ø175,8	SN 3012	540	794	ET = 55	245/70 R17,5
NR** ...	9 t*	10 x M22 x 1,5/Ø225/Ø175,8	SN 3015	680	956	ET = 0	285/70 R19,5
NRZ** ...	12 t*	10 x M22 x 1,5/Ø225/Ø175,8	SN 3015	735	1047	M = 248	215/70 R17,5
NRD ...	12 t*	10 x M22 x 1,5/Ø225/Ø175,8	SN 3020	910	1234	M = 290	215/70 R17,5
NMZ ...	13 t*	10 x M22 x 1,5/Ø225/Ø175,8	SN 3020	800	1140	M = 280	215/70 R17,5
MSF ...	12 t*	10 x M22 x 1,5/Ø335/Ø280,8	SN 4218	845	1189	ET = 0	385/65 R22,5
MZM ...	14 t	10 x M22 x 1,5/Ø335/Ø280,8	SN 4220	960	1306	M = 350	12.00 R20
MZM ...	16 t	10 x M22 x 1,5/Ø335/Ø280,8	SN 4220	960	1382	M = 360	325/95 R24
MZM ...	20 t	10 x M24 x 1,5/Ø335/Ø280,8	SN 4220	1120	1542	M = 360	325/95 R24

\* Direction-independent brake, technical axle load max. 9.7 t

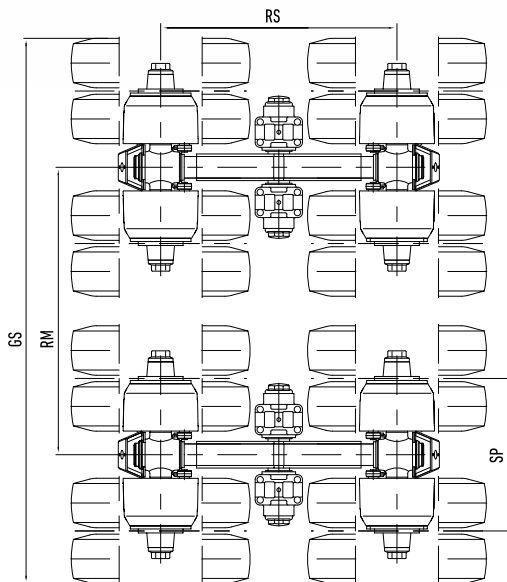
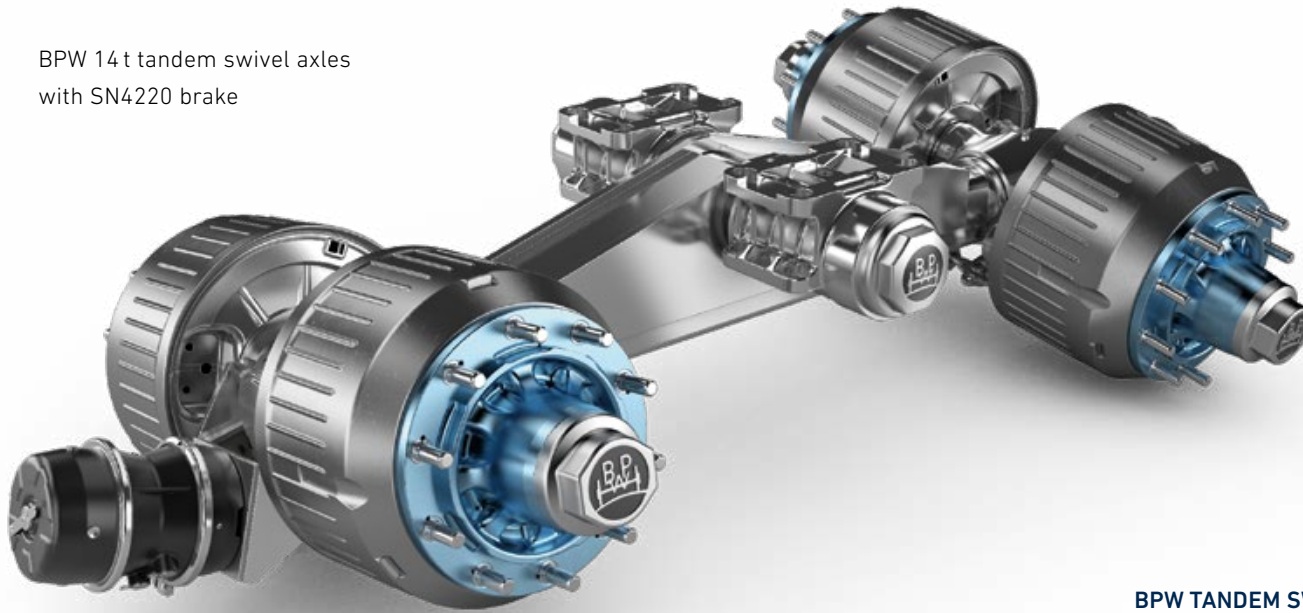
\*\* With ECO PLUS bearing

### BPW HEAVY-LOAD SWIVEL AXLES FOR INDUSTRIAL APPLICATIONS

Axle type	Axle load	Wheel connection	Brake	SP	GB	ET/M	Tyres
NMZ ...	18 t at 25 km/h	10 x M22 x 1,5/Ø225/Ø175,8	SN 3020	800	1140		15" pneumatic and CSE tyres
RDB ...	25 t at 5 km/h	10 x M22 x 1,5/Ø335/280,8	SN 4218	600	974	ET = 66	385/55 R22,5
MZM ...	40 t at 15 km/h	10 x M24 x 1,5/Ø335/280,8	SN 4220	1120	1581		20" pneumatic and CSE tyres
MZM ...	60 t at 5 km/h	24 x M22 x 1,5/Ø425/370,8	SN 5020	1320	1799		Pneumatic tyres from 24"

Other versions on request, as well as swivel axles without brake.  
Swivel limitation must be installed by the vehicle manufacturer.

BPW 14 t tandem swivel axles  
with SN4220 brake



#### BPW TANDEM SWIVEL AXLES FOR 15" TO 24" TYRES

Axle type	Axle load	Wheel connection	Brake	SP	RS	RM	GS	Tyres
NMZ ...	2 x 12 t	10 x M22 x 1,5/Ø225/175,8	SN 3015	890	1350	1600	3023	235/75 R17,5
NMZ ...	2 x 13 t	10 x M22 x 1,5/Ø225/175,8	SN 3020	950	1350	1800	3995	315/70 R15
MZF ...	2 x 12 t	10 x M22 x 1,5/Ø335/280,8	SN 4220	960	1480	1800	3420	12.00-20
MZF ...	2 x 14 t	10 x M22 x 1,5/Ø335/280,8	SN 4220	955	1480	1800	3417	12.00-20
MZM ...	2 x 16 t	10 x M22 x 1,5/Ø335/280,8	SN 4220	960	1550	1840	3457	12.00-20
MZM ...	2 x 20 t	10 x M24 x 1,5/Ø335/280,8	SN 4220	1125	1700	2170	4097	14.00 R20

#### BPW HEAVY-LOAD TANDEM SWIVEL AXLES FOR INDUSTRIAL APPLICATIONS

Axle type	Axle load	Wheel connection	Brake	SP	RS	RM	GS	Tyres
MZM ...	2 x 40 t bei 15 km/h	10 x M24 x 1,5/Ø335/280,8	SN 4220	1120	1350	2000	3740	12.00-20 (CSE)
MZM ...	2 x 55 t bei 10 km/h	24 x M22 x 1,5/Ø425/370,8	SN 5020	1200	1575	2325	4376	14.00 R24

Other versions on request, as well as swivel axles without brake.  
Swivel limitation must be installed by the vehicle manufacturer.