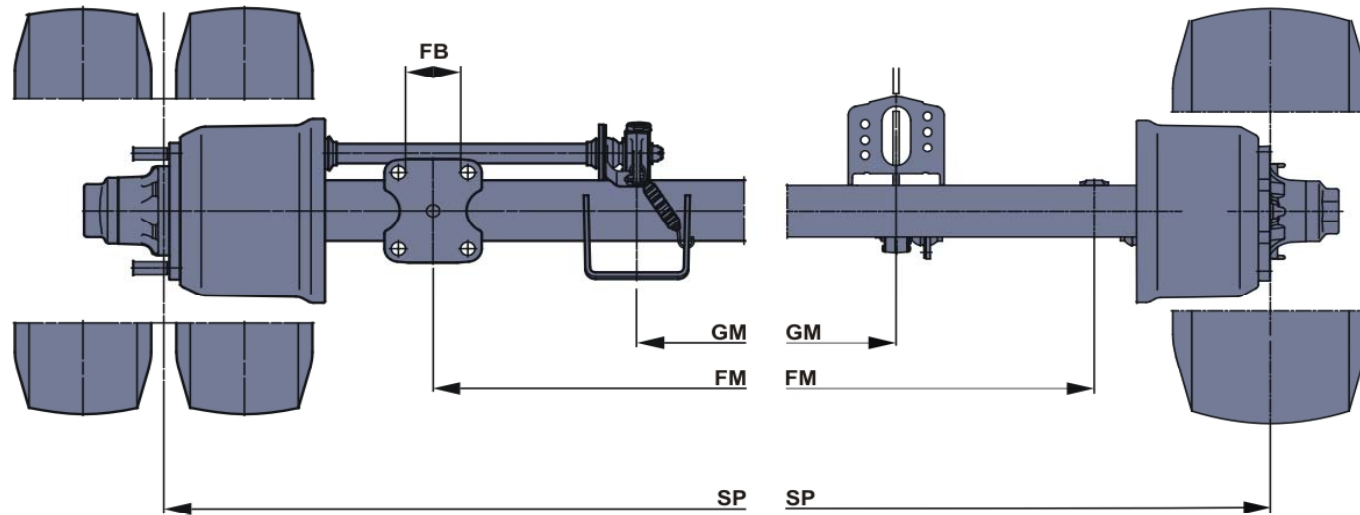


Form for Replacement Axle



BPW Bergische Achsen
Kommanditgesellschaft

VE Aftermarket

Fax 02262 / 78-1731

Fax 02262 / 78-1546

Axle code (if known):

Date code (if known):

Axle load

Axle cross section

 120 / 150"/>

Track (**SP**)

 mm

Spring centre (**FM**)

 mm

Spring width (**FB**)

 mm

Brake cylinder centres (**GM**)

 mm

Brake size

Number of wheel studs (on each wheel side)

Single tyres

Twin tyres

Slack adjuster type

 Automat. Manual

Anti-lock brake system (ABS)

Suspension code (if known):

Suspension type:

Leaf suspension

Series VA VB W

Air suspension

Series O/OM/OT SLM/O/U ALM/O/U

Spring pad type:



Spring thickness (**D**):

