



The brands of the BPW Group:



NEWS Aftermarket

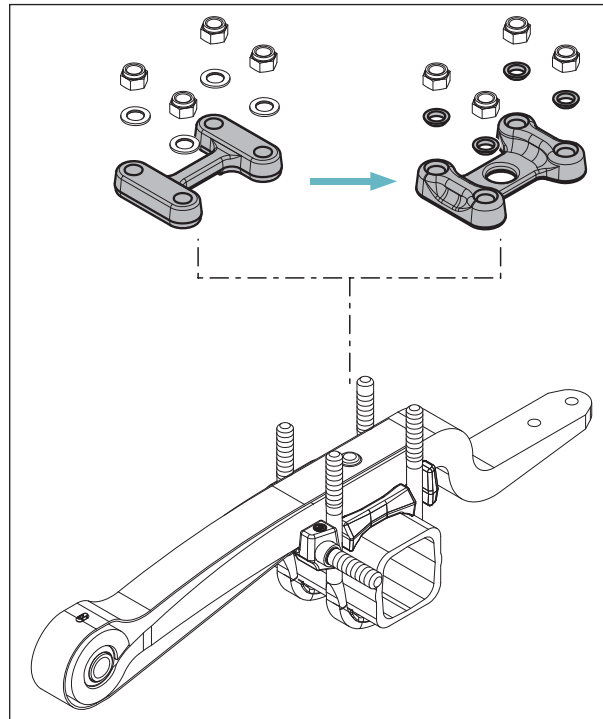
73831711e

AM04 / 2017

Conversion of spring plates

Due to variants reduction BPW will convert the spring plates mentioned below.

The new spring plates starting with digits 09 include the necessary centering rings which are required due to this conversion. In case of replacing the old types of spring plates the centering rings are not required to be ordered separately.



Due to the conversion the BPW code numbers will change as below:

05.145.22.80.0	->	09.145.25.40.0
05.145.22.81.0	->	09.145.25.41.0
05.145.22.82.0	->	09.145.25.42.0
05.145.22.83.0	->	09.145.25.43.0
03.145.22.77.0	->	09.145.25.34.0

