

we think transport



THE ROBUST CENTER AXLE LANDING LEG.

BPW center axle landing leg



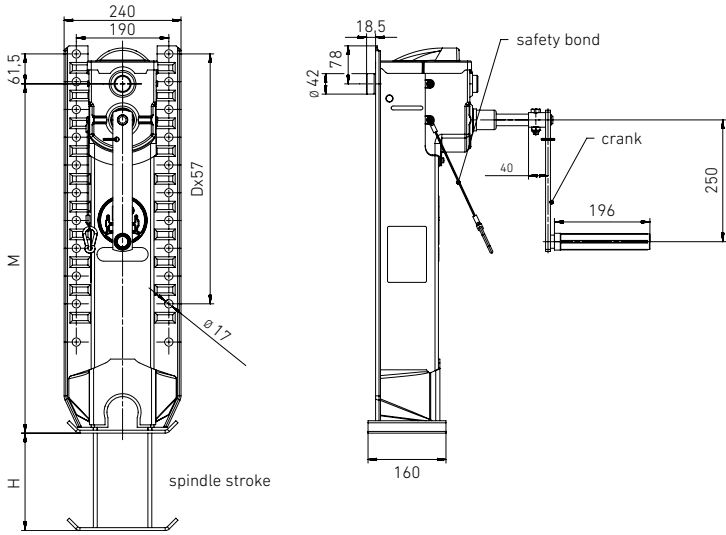
The robust and convenient solution for centre axle trailers.

BPW center axle landing leg for centre axle trailers are perfect for heavy-duty trailer use thanks to the reinforced shaft for the absorption of lateral forces and the continuous fastening plate for optimum strength. And all of this with built-in safety, as all BPW center axle landing leg are tested before delivery.

IMPRESSIVE BENEFITS

- Long, continuously perforated mounting plate for easy and flexible installation.
- Low crank forces facilitate work.
- Particularly light and therefore economical.
- Requires no maintenance for three years due to longlife lubrication with BPW ECO-Li 91.
- Low weight.
- Thanks to the high-quality coating, there is optimal protection from corrosion.

BPW CENTER AXLE LANDING LEG



VERSIONS

| length | dimension | number | BPW |
|--------|-----------|--------|---------------|
| M | H | D | item number |
| 715 | 455 | 9 | 02.3711.00.00 |
| 665 | 405 | 9 | 02.3711.01.00 |
| 620 | 355 | 8 | 02.3711.02.00 |
| 570 | 305 | 7 | 02.3711.03.00 |

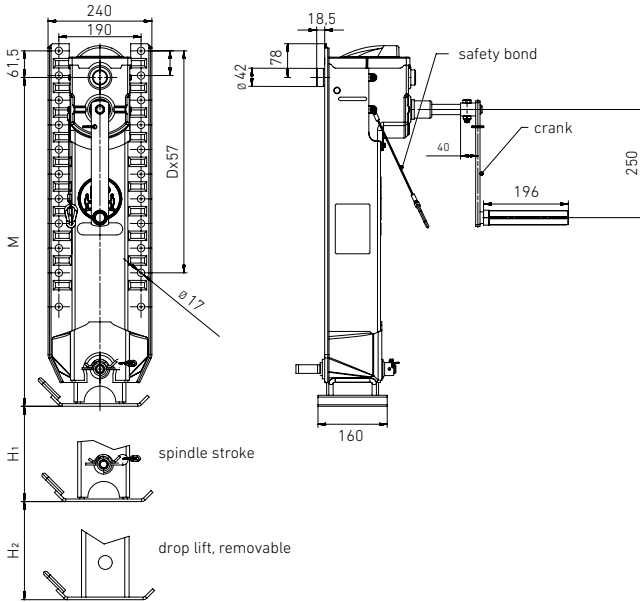
ACCESSORIES

| | BPW |
|-------------------------|---------------|
| | item number |
| crank length: 250 mm | 02.1404.01.01 |
| safety bond | 02.0130.90.20 |

TECHNICAL DATA

| | |
|-----------------------------------|--------|
| lifting capacity | 12 t |
| static load capacity | 25 t |
| travel per stroke rotation | |
| low gear | 0,8 mm |
| overdrive | 9,6 mm |
| crank force with 16 t load | 200 N |

BPW CENTER AXLE LANDING LEG (WITH ADDITIONAL DROP LIFT)



VERSIONS

| length | dimension H1 | dimension H2 | number | BPW |
|--------|----------------|------------------|--------|---------------|
| M | spindle stroke | drop down height | D | item number |
| 760 | 410 | 400 | 9 | 02.3711.11.00 |

TECHNICAL DATA (with drop lift)

| | |
|-----------------------------------|--------|
| lifting capacity | 10 t |
| static load capacity | 15 t |
| travel per stroke rotation | |
| low gear | 0,8 mm |
| overdrive | 9,6 mm |
| crank force with 16 t load | 200 N |

ACCESSORIES

| | BPW |
|-------------------------|---------------|
| | item number |
| crank length: 250 mm | 02.1404.01.01 |
| safety bond | 02.0130.90.20 |

All dimensions in mm.



The brands of the BPW Group:



BPW Deichselstützen 19071901 e **conception GmbH**

BPW Bergische Achsen Kommanditgesellschaft

Postbox 12 80 · 51656 Wiehl, Germany · Telephone +49 (0) 2262 78-0

info@bpw.de · **www.bpw.de**