



BPW AGRO Air 9000 - Air suspension

Unrivalled 9-ton BPW technology combining cost-optimized axle with air suspension for use on and off the road. Generous spring deflection, high roll stability and excellent driving comfort are the hallmarks of this new air suspension.

The brands of the BPW group:



we think transport



BPW AGRO Air 9000 - Air suspension

Technical data

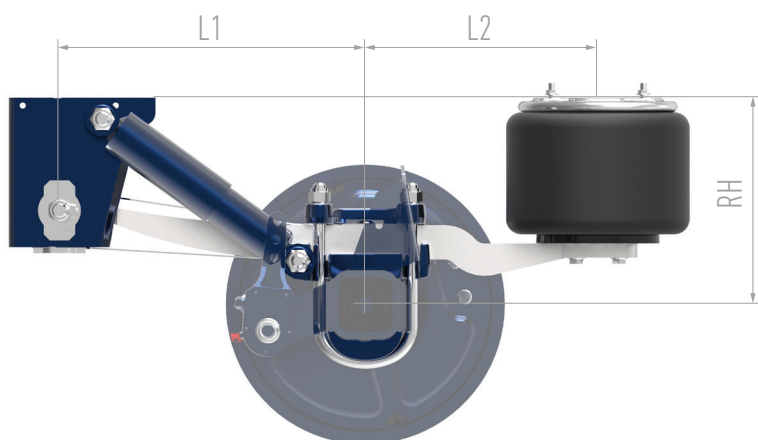
Axle type:	GS 9000 or GSLA 9000
Brake:	N 3411 (340 x 110) from 17.5" wheels N 4012 (400 x 120) from 19.5" wheels
Axle load (40 km/h) / module:	tandem configuration to 8.5 t two-axle configuration to 9 t
Steering axle:	self-steering axle with locking cylinder
Guide spring:	70 mm wide single-leaf trailing arm
Bellows:	Ø 300 mm

Toe in and spring center on request

Options

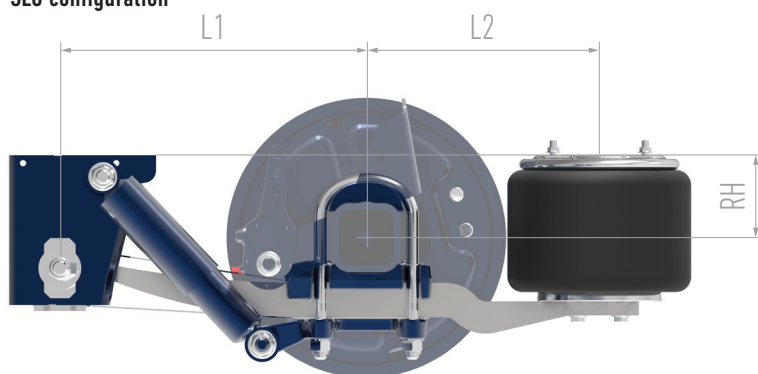
- Bracket available with head plate
- C-beam (support joint) Fitted
- Diaphragm assembled air cylinder
- Air reservoir without lines (valve, etc.)

SLO configuration



No.	Ride height (RH)	L1	L2
1	395-425 mm	500 mm	310 mm
2	425-505 mm		380 mm
3	455-505 mm		

SLU configuration



No.	Ride height (RH)	L1	L2
1	190-225 mm	500 mm	310 mm
2	225-305 mm		380 mm
3	205-305 mm		

YOUR ADVANTAGES AT A GLANCE

- Exceptional driving comfort in on-road and off-road use
- Ground protection thanks to even load distribution
- Constant ride height with varying load conditions
- Ready-to-install solution
- Broad range of options
- Ride heights from 190 mm (SLU) to 505 mm (SLO)
- 70 mm wide single-leaf trailing arm
- For axle loads to 9 tons

BPW Bergische Achsen Kommanditgesellschaft

Postcode 12 80 · 51656 Wiehl, Germany · Telefon +49 (0) 2262 78-0
info@bpwagr.com · www.bpwagr.com

we think transport

