

Test Report

No. KB 904-BSN.2

for the evaluation of Annex I, item 2.2.2.8.1
of Directive 71/320/EEC

1 Technical characteristics of the brake

| | |
|--|---|
| Manufacturer: | BPW Bergische Achsen Kommanditgesellschaft D-51674 Wiehl |
| Model: | FL 3008 |
| Type: | Simplex-brake with cam application |
| Technically permissible brake load $G_{Bo,e}$ ¹⁾ : | 2700 daN |
| Brake drum diameter: | 300 mm |
| Brake lining | |
| - Make, -Type: | Textar, T 090 |
| - Width: | 80 mm |
| - Method of attachment: | Riveted |
| Brake lever with automatic adjusting device | |
| - Manufacturer: | BPW Bergische Achsen Kommanditgesellschaft D-51674 Wiehl |
| - Type: | AGS |
| Scope of application: | Trailers with power-braking system (com- pressed air) and pneumatic mechanical transmission |
| Diagram: | See sheet 2/2 |

- 2 Tests performed: According to Annex II, item 1.3 (Type-I test) and 1.6 (Type-III test) of Directive 71/320/EEC in the version of Directive 98/12/EC taking account of vehicle category O with above mentioned brake models, brake linings and brake levers.

¹⁾ Calculation with $g = 10 \text{ m/s}^2$

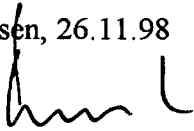


Manufacturer of the brake : BPW
 Type of brake lever : AGS

3 Test results:

After all the tests, a brake torque of 0 Nm was measured at a brake cylinder pressure of 0 bar and a brake drum temperature of < 100 °C.

Essen, 26.11.98

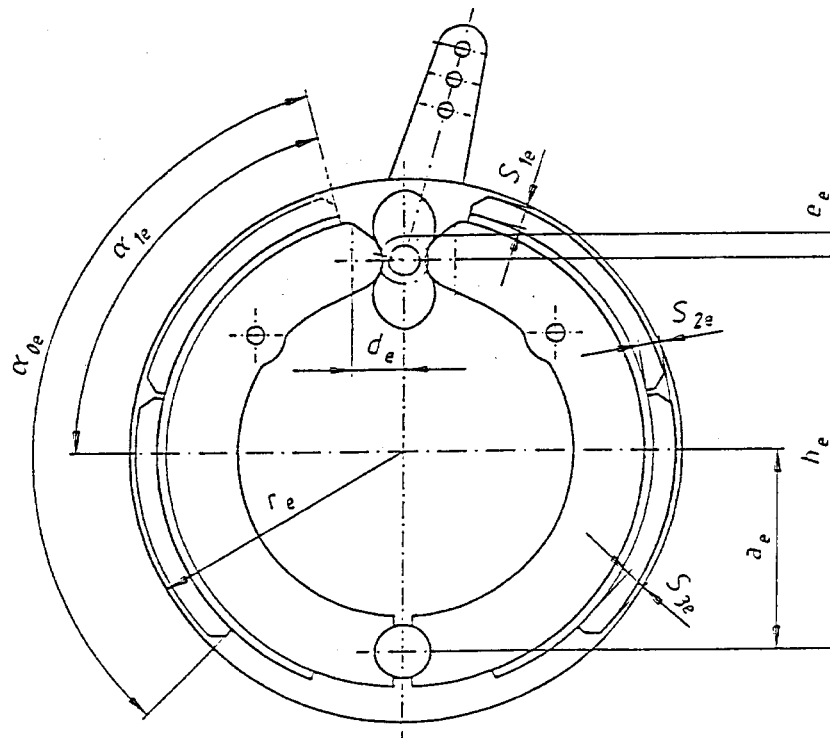


Dipl.-Ing. Kaesler



LABORATORY FOR VEHICLE TECHNOLOGY
 Testing Laboratory for Braking Systems
 according to Directive 71/320/EEC in the
 version of Directive 98/12/EC

Brake diagram



- All dimensions - except α_{0e} , α_{1e} and F_e - in mm
- F_e = effective braking surface per brake in cm^2
- b_e = brake lining-width

| Brake | a_e | h_e | c_e | d_e | e_e | α_{0e} | α_{1e} | b_e | r_e | F_e | S_{1e} | S_{2e} | S_{3e} |
|-------|-------|-------|-------|-------|-------|---------------|---------------|-------|-------|-------|----------|----------|----------|
|-------|-------|-------|-------|-------|-------|---------------|---------------|-------|-------|-------|----------|----------|----------|